

## Locking Devices

### 50A Twist-Lock

# Marine Grade, 50A 125V 2-Pole 3-Wire Shore Power Inlet

# HUBBELL

## Ordering Information

<b>Color</b> White	<b>UPC</b> 783585519487	<b>Catalog Number</b> HBL503NM
-----------------------	----------------------------	-----------------------------------

## Listings

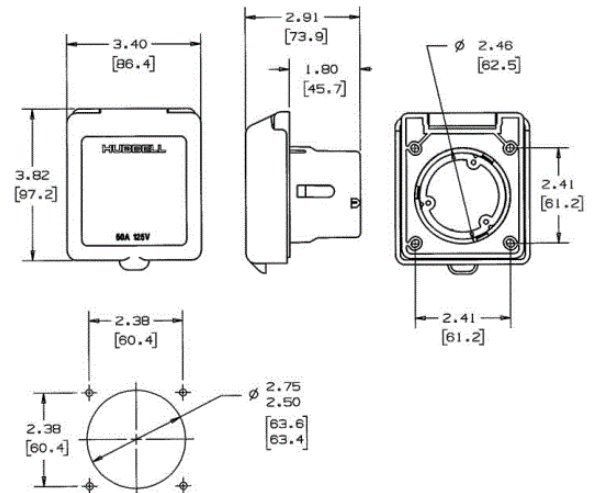
UL Listed

## Specifications

Current/Ampereage	50 A
Phase	Single Phase
Wire Size	#6 AWG
NEMA Rating	Non-NEMA

## Performance

<b>Environmental</b> Moisture Resistance	IP55 Suitability
---	------------------



## Online Resources

Customer Sales Drawings  
eCatalog  
Installation Instructions

Dimensions in Inches (mm)

Hubbell Wiring Device-Kellems • Hubbell Incorporated (Delaware) • 40 Waterview Drive • Shelton, CT 06484

Phone (800) 288-6000 • Fax (800) 255-1031 • Specifications subject to change without notice.

