

Straight Blade Devices
15A, 125V, 2 Pole, 3 Wire Grounding
Miscellaneous Receptacles

HUBBELL

Ordering Information

Description	Device Color	UPC	Catalog Number
Receptacle, clock hanger, brown with Stainless steel plate	Brown	783585014111	HBL5235

Listings

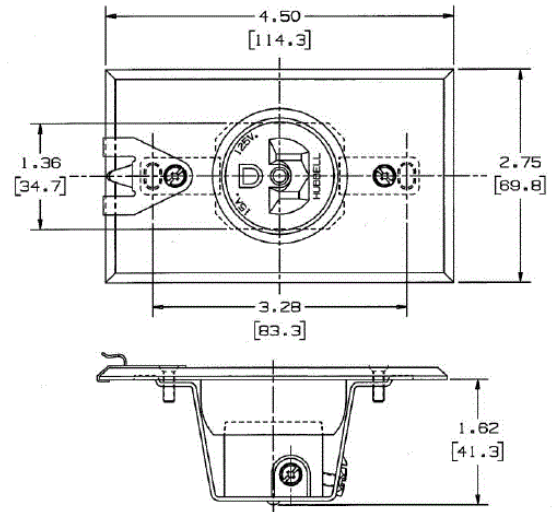
UL Listed to UL498 File E2186
Certified to CSA, C22.2, No. 42 file 285
NEMA® WD-6 Compliant

Specifications

Face	Phenolic
Base	Phenolic
Power Contacts	.032" (.81) Brass

Performance

Electrical	
Current Interrupting	Certified for current interrupting at full rated current
Dielectric Voltage	Withstands 2,000V minimum
Mechanical	
Product Identification	Ratings are a permanent part of the device
Terminal Accommodation	#14-#10 AWG copper stranded or solid conductor only
Terminal Identification	Terminals identified in accordance with UL 498 and CSA
Environmental	
Flammability	UL 94 V-2 or better
Operating Temperatures	Maximum continuous 75°C; minimum -40°C (w/o impact)



Resources

Customer Use Drawing
eCatalog

Dimensions in Inches (mm)

Hubbell Wiring Device-Kellems • Hubbell Incorporated (Delaware) • 40 Waterview Drive • Shelton, CT 06484

Phone (800) 288-6000 • Fax (800) 255-1031 • Specifications subject to change without notice.

