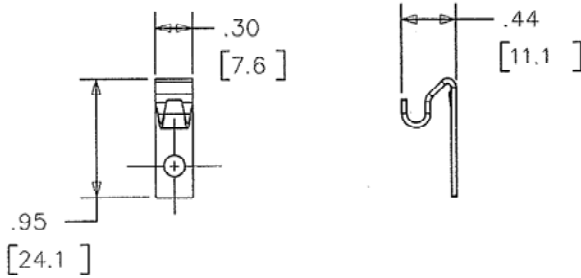
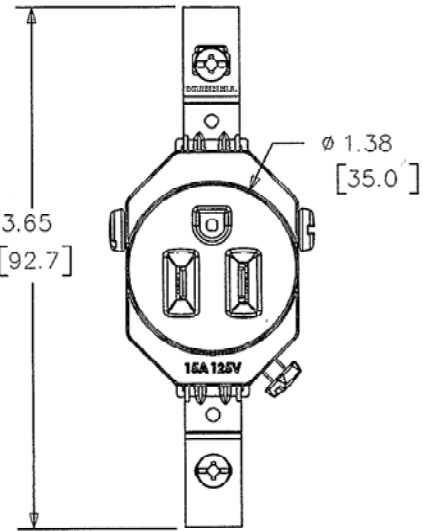
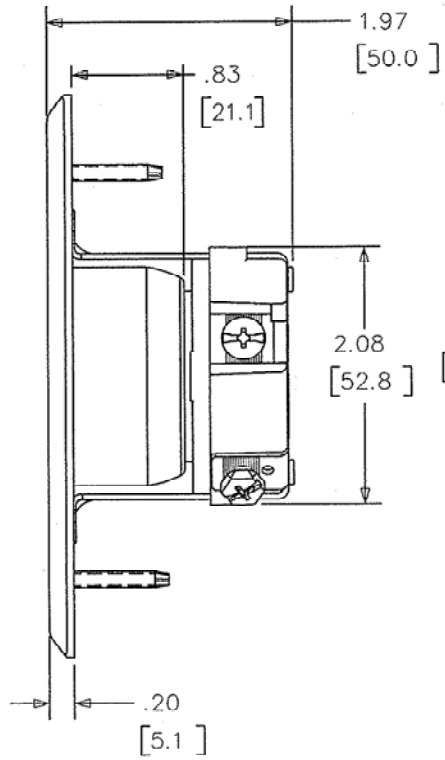
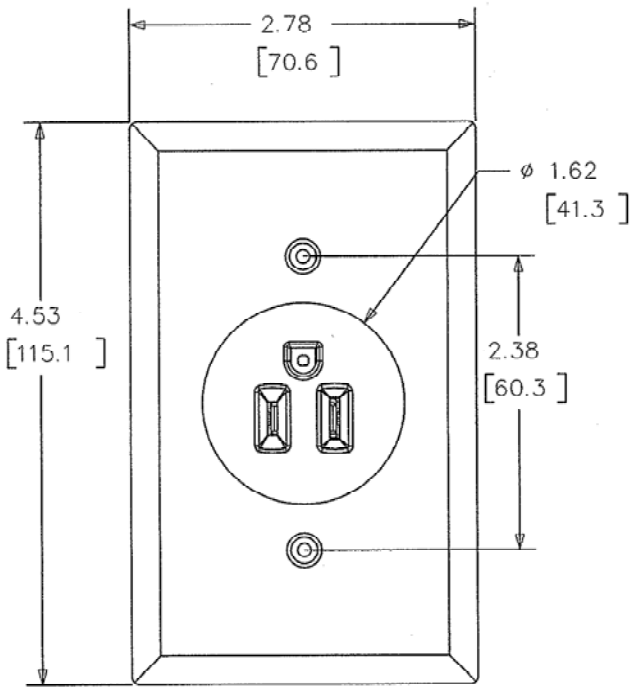


M-11525 2



NOTES: (UNLESS OTHERWISE SPECIFIED)
 1. DRAWING IS IN INCHES [MM].
 2. MOUNTING SCREWS (2) PROVIDED.

LIST OF PARTS		
DESCRIPTION	MATERIAL	FINISH
WALL PLATE W/ SCREWS	BRASS	NICKEL PLATE
WALL PLATE MTG SCREWS	STAIN. STEEL	
DRIVE SCREWS	STEEL	ZINC PLATE
GROUND STRAP	STEEL	ZINC PLATE
TERMINALS	BRASS	
RECEPT. MOUNTING SCREWS	STEEL	ZINC PLATE
BASE & COVER	PLASTIC	

SYM	REVISIONS	APP	DATE
2	ADDED NICKEL PLATE FINISH TO WALL PLATE W/SCREWS & STAIN. STEEL TO WALL PLATE MTG SCREWS (CALLOUTS IN LIST OF PARTS PER DCN 16768 ROM)	CZH	6/22/10
1	NEW RELEASE PER DCN 16577 SPN	CZH	5/3/10

REPAIRABLE NON-REPAIRABLE

THE DESIGN AND DIMENSIONS OF THE PRODUCT SHOWN ON THIS DRAWING ARE SUBJECT TO CHANGE WITHOUT NOTICE

TITLE HBL5235 15A 125V
CLOCK HANGER
RECESSED RECEPTACLE

TOLERANCES UNLESS OTHERWISE SPECIFIED FRACTIONS ±1/64 DECIMALS ±.005 ANGLES ±2°	WIRING DEVICE—KELLEMS HUBBELL INCORPORATED BRIDGEPORT, CT		
	DR. BY SPN	APP. BY CZH	
	TR. BY	SCALE NONE	
	CHK'D BY CZH	DATE 5/3/10	

DIMENSION SHEET FOR CAT. NO. SEE TITLE REPAIRABLE NON-REPAIRABLE B M-11525 2