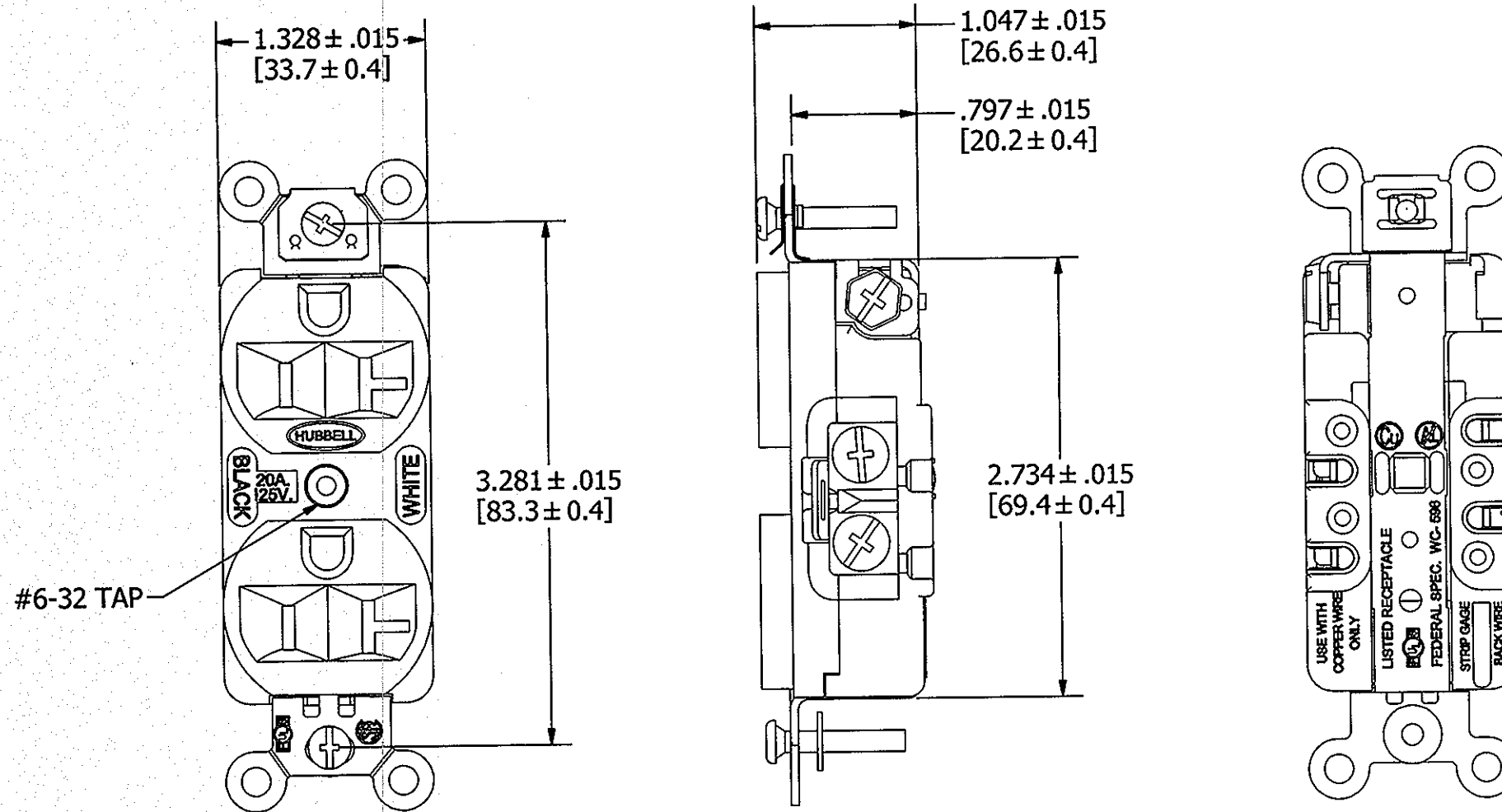


M-6326 8

CATALOG NUMBERS								CONFIGURATION	RATING
BROWN	IVORY	GRAY	WHITE	BLACK	RED	ALMOND			
HBL5252	HBL5252I	HBL5252GY	HBL5252W	HBL5252BK	HBL5252R	HBL5252AL		15A-125V	
HBL5352	HBL5352I	HBL5352GY	HBL5352W	HBL5352BK	HBL5352R	HBL5352AL		20A-125V	

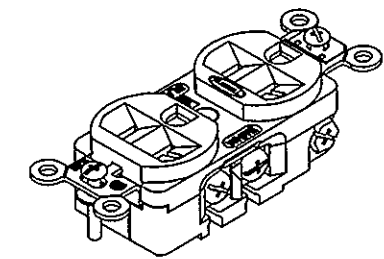


NOTES: (UNLESS OTHERWISE SPECIFIED)

1. DIMENSIONS ARE IN INCHES [mm].
2. ALL DEVICES U.L. LISTED & C.S.A. CERTIFIED.
3. TERMINALS ACCOMODATE #14-10 AWG COPPER WIRE ONLY.
4. * = WHITE FINISH ON NEUTRAL PARTS WHEN USED.

LIST OF PARTS

DESCRIPTION	MATERIAL	FINISH
TOP	NYLON	
BASE	THERMOPLASTIC POLYESTER	BLACK
CONT. SP. BIND. PLATE	PHOSPHOR BRONZE	
GR. CONTACT SP.	.031 BRASS	
WIRE CLAMP	.062 C.R.S.	NICKEL PLATE
BRIDGE	BRASS	
GROUND SPRING	STAINLESS STEEL	
BINDING SCREWS	BRASS	*
HEX. HD. BIND. SCREW	BRASS	GREEN
MOUNTING SCREW	STEEL	ZINC PLATE
WASHER	FIBER	RED
CENTER RIVET	SILICON BRONZE	



CATALOG NO. HBL5352 (NOT SHOWN TO SCALE)

8	REDRAWN WITH EMBEDDED CAD MODEL WITH NO CHANGES TO PART GEOMETRY. PER DCN 21895 SPN	DJP	2/5/16
REV	DESCRIPTION	APP	DATE

THE DESIGN AND DIMENSIONS OF THE PRODUCT SHOWN ON THIS DRAWING ARE SUBJECT TO CHANGE WITHOUT NOTICE

TITLE
3 WIRE GROUNDING STRAIGHT BLADE DUPLEX RECEPTACLE SIDE & BACK WIRED

TOLERANCES UNLESS OTHERWISE SPECIFIED	WIRING DEVICE-KELLEMS HUBBELL INCORPORATED SHELTON, CT	
.XX = ± .01	DR. BY ASM	APP. BY
.XXX = ± .005	TR. BY	SCALE 1:1
ANGLES = ± 2°	CHK. BY	DATE 11/3/82

DIMENSION SHEET FOR CAT. NO. SEE TABLE REPAIRABLE NON-REPAIRABLE B M-6326 8