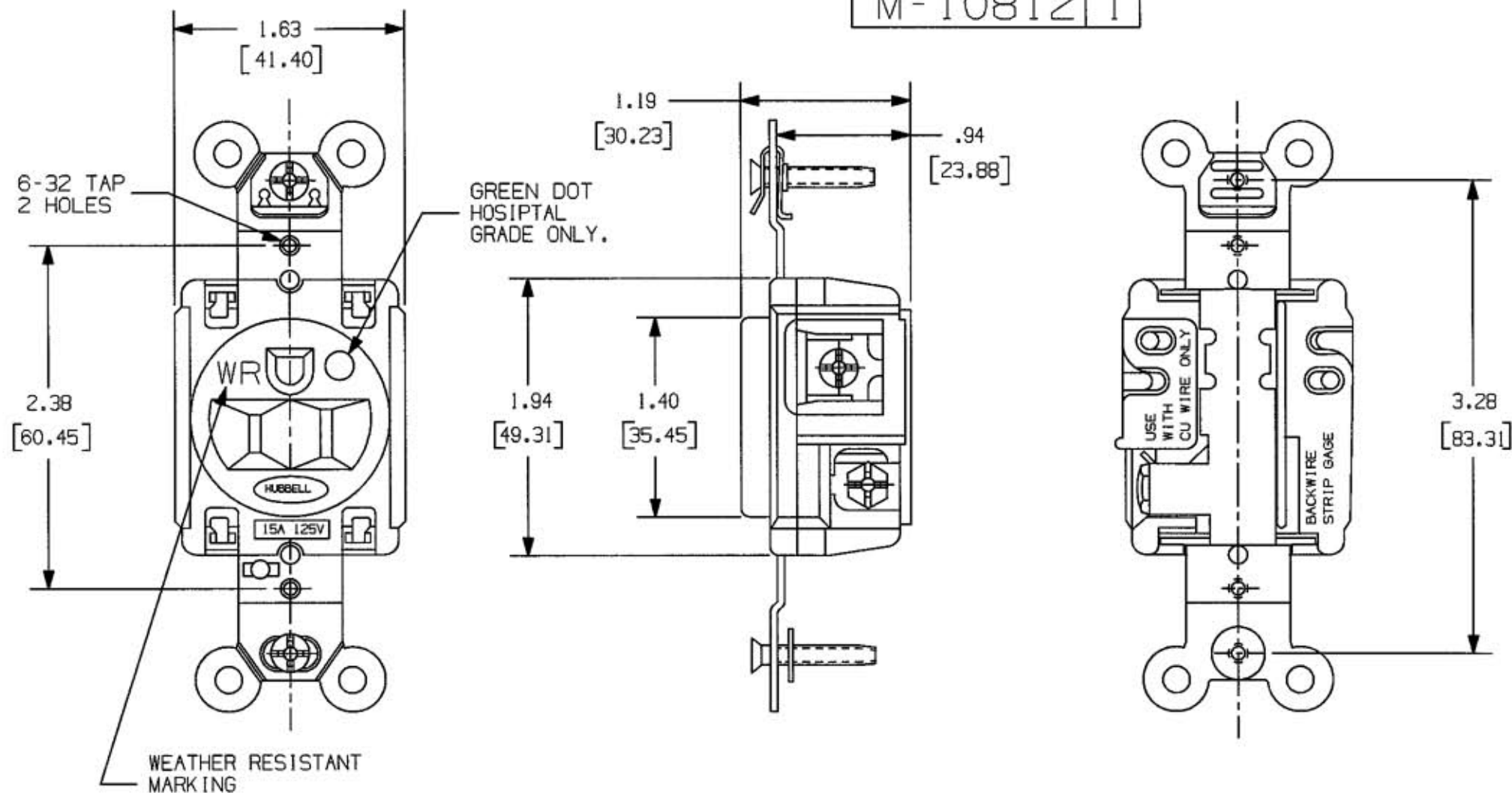


M-10812 1



STANDARD

MARINE

HOSPITAL GRADE

LIST OF PARTS

DESCRIPTION	MATERIAL	FINISH
TOP	NYLON	SEE CHART
BASE	REIN. POLYESTER	GREY
CONT.SP.BIND.PLATES	.040 BRASS	WHITE
CLAMPING PLATES	.031 BRASS	ON
BINDING SCREWS	BRASS	NEUTRAL
BRIDGE	.050 BRASS	-
GROUND SPRING	ST. STEEL	-
HEX HD. BIND.SCREW	BRASS	GREEN
WASHER	FIBER	RED
FLAT HD. MTG. SCREW	ST. STEEL	ZINC PLATE
-	-	-
CONT.SP.BIND.PLATES	.040 BRASS	1-WHITE
CLAMPING PLATES	.031 BRASS	1-BLACK
BINDING SCREWS	BRASS	-
BRIDGE	.050 BRASS	TIN
HEX HD. BIND SCREW	BRASS	GREEN
WASHER	FIBER	RED
FLAT HD. MTG. SCREW	ST. STEEL	-
-	-	-
CONT.SP.BIND.PLATES	.040 BRASS	1-WHITE
CLAMPING PLATES	.031 BRASS	1-BLACK
BINDING SCREWS	BRASS	-
BRIDGE	.050 BRASS	NICKEL PLATE
HEX HD. BIND. SCREW	BRASS	GREEN
GR SPRING SHIELD	.020 STEEL	NICKEL PLATE
WASHER	FIBER	RED
FLAT HD. MTG. SCREW	ST. STEEL	-
GROUND SPRING	ST. STEEL	-
-	-	-
-	-	-

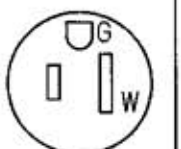

DIMENSION SHEET FOR CAT. NO.

REPAIRABLE

NON-REPAIRABLE

B

M-10812 1

CATALOG NUMBERS	HOSPITAL GRADE	COLOR	CONFIGURATION	RATING
STANDARD	MARINE			
HBL5261WR	-	HBL8210WR	BROWN	NEMA 5-15R 
-	-	HBL8210GYWR	GRAY	
HBL52611WR	-	HBL82101WR	IVORY	
-	-	HBL8210RWR	RED	
-	-	HBL8210WWR	WHITE	
-	HBL52CM61	-	YELLOW	
HBL5361WR	-	HBL8310WR	BROWN	NEMA 5-20R 
HBL5361GRYWR	-	HBL8310GYWR	GRAY	
HBL53611WR	-	HBL83101WR	IVORY	
-	-	HBL8310RWR	RED	
-	-	HBL8310WWR	WHITE	
-	HBL53CM61	-	YELLOW	

1	RELEASE PER DCN 14421 MJM	TLS	11/8/07
SYM	REVISIONS	APP	DATE

THE DESIGN AND DIMENSIONS OF THE PRODUCT SHOWN ON THIS DRAWING ARE SUBJECT TO CHANGE WITHOUT NOTICE

TITLE WEATHER RESISTANT STANDARD-MARINE-HOSPITAL GRADE 3 WIRE GROUNDING SINGLE STRAIGHT BLADE RECEPTACLE WITH BACK & SIDE WIRING

TOLERANCES UNLESS OTHERWISE SPECIFIED	WIRING DEVICE-KELLEMS HUBBELL INCORPORATED BRIDGEPORT, CT	
FRACTIONS ± 1/64	DR. BY MJM	APP. BY TLS
DECIMALS ± .005	TR. BY	SCALE 1:1
ANGLES ± 2°	CHK'D BY TLS	DATE 11-8-07

DIMENSIONS = INCHES (MILLIMETERS)