

# M-6992 3

## LIST OF PARTS

DESCRIPTION	MATERIAL	FINISH
ALL EXTERNAL PLASTIC PARTS	UV STABILIZED POLYESTER BLEND	
ALL EXTERNAL SCREWS	STAINLESS STEEL	
THREADED HUB	DIE CAST	
INSULATED THROAT	ZINC	

DIMENSION SHEET FOR CAT. NO. SEE TABLE

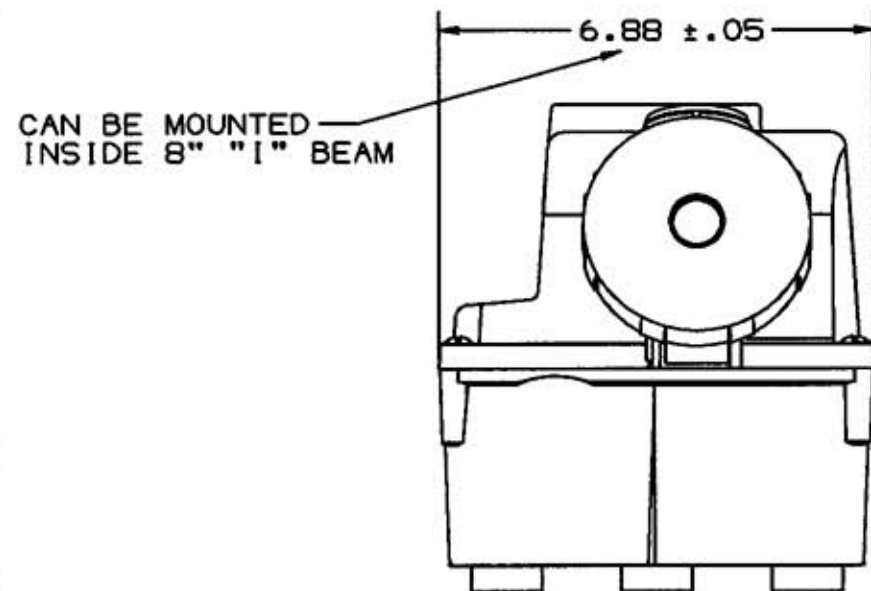
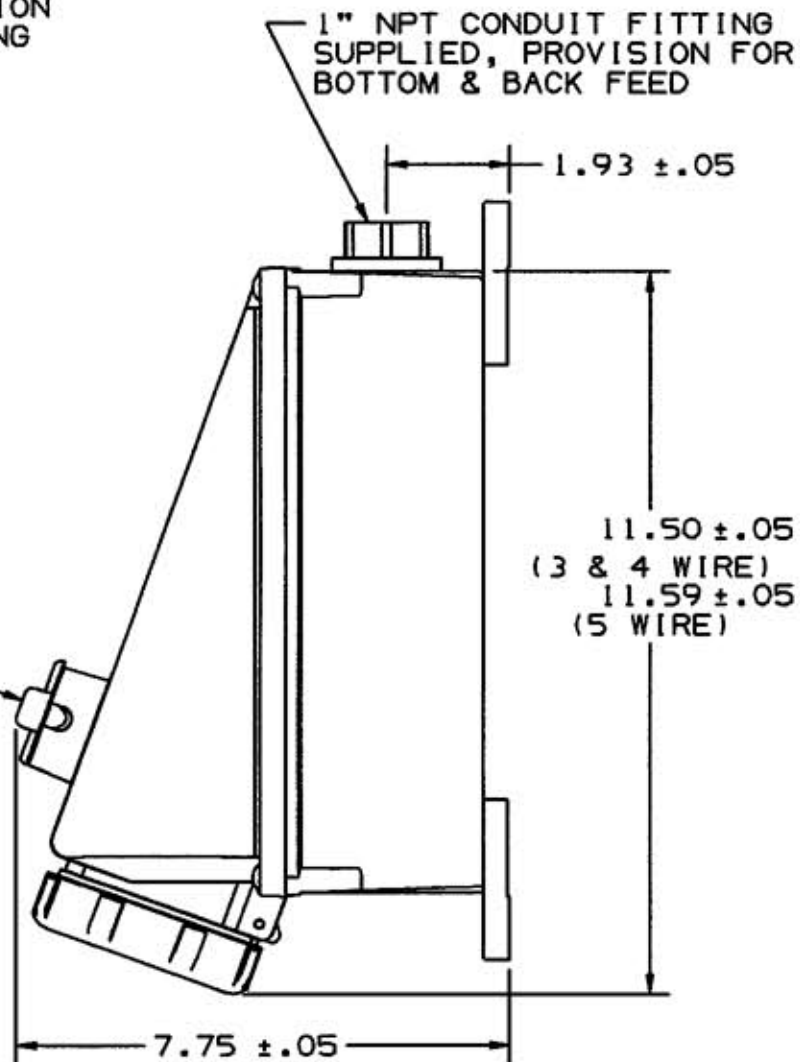
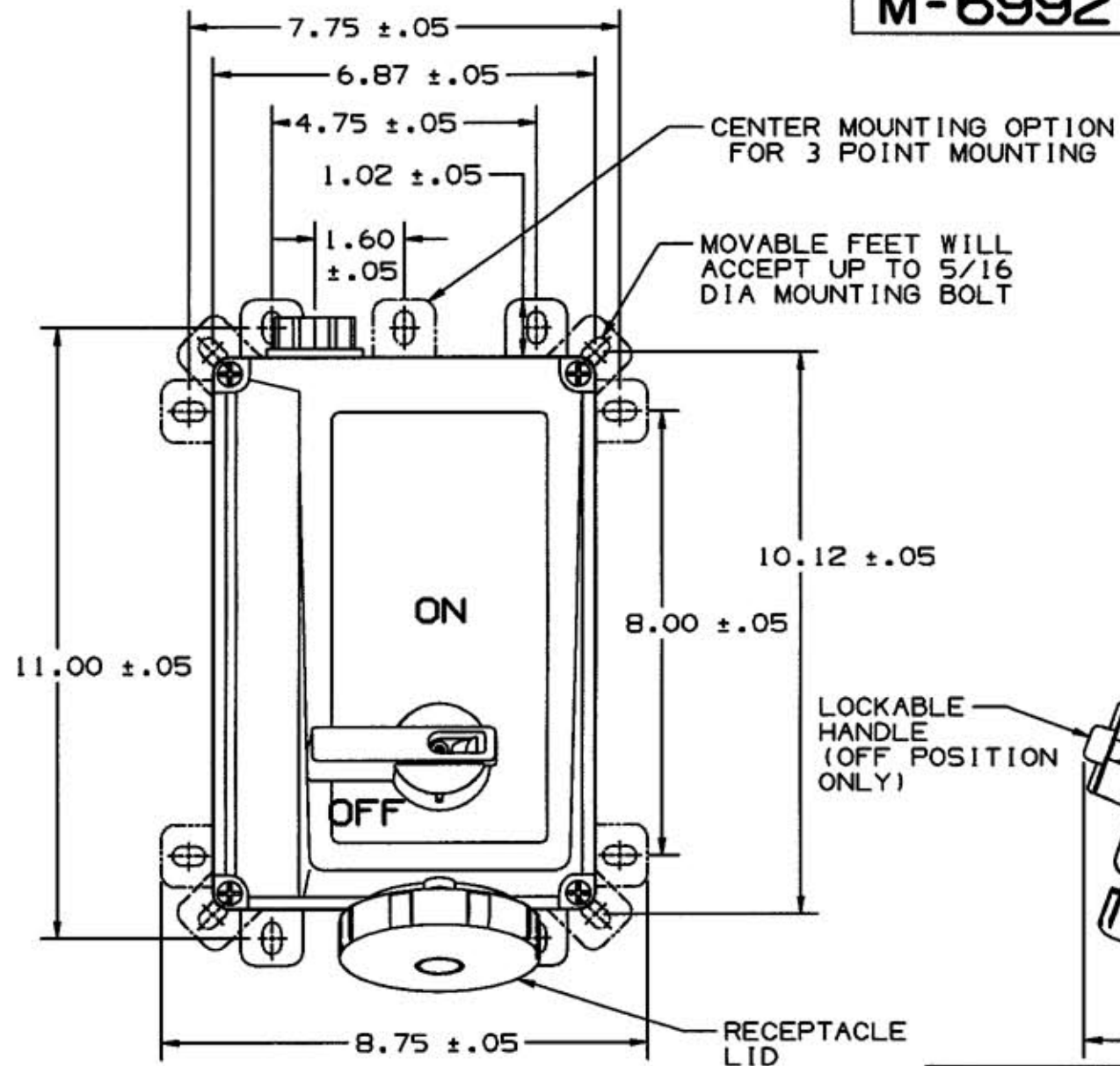
REPAIRABLE

NON-REPAIRABLE

B

M-6992

3



CAT. NOS.	AMPS	RATING	HORSEPOWER	POLES	WIRES
HBL330M14W	30	120VAC	2	2	3
HBL330M16W	30	240VAC	3 (208-240VAC)	2	3
HBL330M17W	30	480VAC	7.5	2	3
HBL430M15W	30	600VAC 3 $\phi$	20	3	4
HBL430M17W	30	480VAC 3 $\phi$	15	3	4
HBL430M19W	30	240VAC 3 $\phi$	7.5	3	4
HBL430M112W	30	120/240VAC	3 (208-240VAC L-L)	3	4
HBL430M15WR	30	600VAC 3 $\phi$	20	3	4
HBL430M17WR	30	480VAC	15	3	4
HBL430M19WR	30	240VAC 3 $\phi$	7.5	3	4
HBL432M13W	32	380VAC 3 $\phi$ 50Hz 440VAC 3 $\phi$ 60Hz	15 (440VAC 60Hz)	3	4
HBL530M15W	30	347/600VAC 3 $\phi$ Y	20	4	5
HBL530M17W	30	277/480VAC 3 $\phi$ Y	15	4	5
HBL530M19W	30	120/208VAC 3 $\phi$ Y	5	4	5

- NOTES:
- ENCLOSURE TYPE 4X & 12K
  - UL 508 LISTED & CSA CERTIFIED
  - RECEPTACLE IS IEC 309-1 & 2 PIN & SLEEVE

SYM	REVISIONS	APP	DATE
3	ADDED TOL TO ALL DIMS PER DCN #7793.	DB	7/27/00
2	ADDED CATALOG NUMBERS FOR REVERSE SERVICE & "HBL" PREFIX PER DCN 6500 CAC	CAC	12/28/98
1	RELEASED PER DCN #1088	RCM	2/11/92

THE DESIGN AND DIMENSIONS OF THE PRODUCT SHOWN ON THIS DRAWING ARE SUBJECT TO CHANGE WITHOUT NOTICE

TITLE  
DIMENSION SHEET FOR 30A MECHANICAL INTERLOCK

TOLERANCES UNLESS OTHERWISE SPECIFIED FRACTIONS $\pm 1/64$ DECIMALS $\pm .005$ ANGLES $\pm 22^\circ$	WIRING DEVICE-KELLEMS HUBBELL INCORPORATED BRIDGEPORT, CT		
	DR. BY	RCM	APP. BY
	TR. BY		SCALE
	CHK'D BY		DATE