

Straight Blade Devices
 20A, 250V, 2 Pole, 3 Wire Grounding
 Heavy Duty Specification Grade Single
 Receptacle

HUBBELL

Features

- One-piece brass integral ground strap
- Unique bypass contact design

Ordering Information

| Description | Device Color | UPC | Catalog Number |
|----------------------------|--------------|--------------|----------------|
| Flush, back and side wired | White | 783585001722 | HBL5461W |

Listings

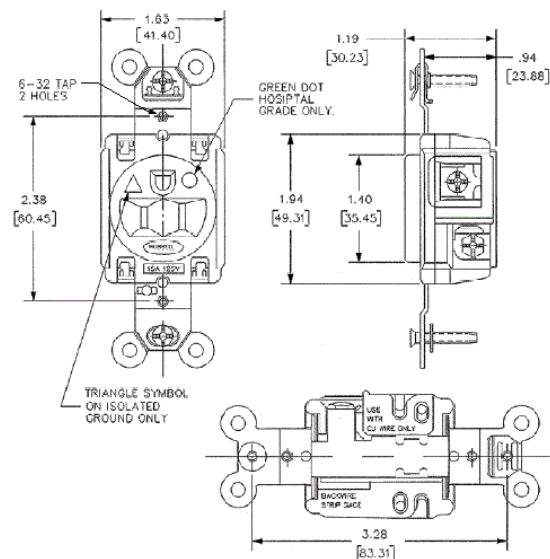
UL Listed to UL498 File No. E2186
 Certified to CSA 22.2, No. 42 File 285
 NEMA® WD-6 Compliant
 NEMA® WD-6 Compliant

Specifications

| | |
|--------------------------|---------------------|
| Face | Nylon |
| Base | PBT |
| Power Contacts | .037 in. (.9) Brass |
| Ground Contact | Brass |
| Mounting Strap | .050" (1.3) Brass |
| Auto Self-grounding Clip | Stainless steel |
| Mounting Screws | Zinc plated steel |

Performance

| Electrical | |
|-------------------------|--|
| Current Interrupting | Certified for current interrupting at full rated current |
| Dielectric Voltage | Withstands 2,000V minimum |
| Mechanical | |
| Product Identification | Ratings are a permanent part of the device |
| Terminal Accommodation | #12-#10 AWG copper stranded or solid conductor only |
| Terminal Identification | Terminals identified in accordance with UL 498 and CSA |
| Environmental | |
| Flammability | Top: UL 94V-2, Base: UL 94V-0 |
| Operating Temperatures | Maximum continuous 75°C; minimum -40°C (w/o impact) |



Accessories

Wallplate or Weatherproof Cover 1.40" Opening

Resources

Customer Use Drawing
 eCatalog

Dimensions in Inches (mm)

Hubbell Wiring Device-Kellems • Hubbell Incorporated (Delaware) • 40 Waterview Drive • Shelton, CT 06484

Phone (800) 288-6000 • Fax (800) 255-1031 • Specifications subject to change without notice.

