

# Straight Blade Devices 20A, 250V, 2 Pole, 3 Wire Grounding Valise® Plug

# HUBBELL

## Features

- Hinged one piece body design for easy assembly
- Powerful, offsetting cord grips clamp on individual conductors
- Assembly screws are captive and will not fall out while wiring

## Ordering Information

Description	Cord Diameter	UPC	Catalog Number
Yellow nylon	.220"-.660"(5.6-16.8)	783585013183	HBL5464VY



## Listings

UL Listed to UL498 File E1706  
CSA Certified to C22.2 No. 42 File 280C  
NEMA® WD-6 Compliant

## Specifications

Housing	Nylon
Blades	Brass
Assembly Screws	Plated Steel
Cable Inserts	PPO
Terminal Screws	#8-32 Brass , multiple drive
Terminal Clamp	Nickel plated steel
Assembly Screws	Plated steel

## Performance

### Electrical

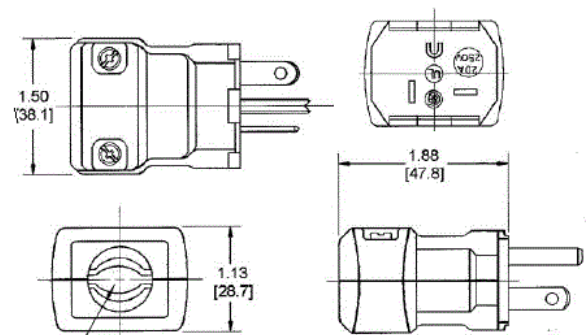
Current Interrupting	Certified for current interrupting at full rated current
Dielectric Voltage	Withstands 2,000V minimum

### Mechanical

Product Identification	Ratings are a permanent part of the device
Terminal Accommodation	#18-#12 AWG stranded copper wire only
Terminal Identification	Terminals identified in accordance with UL 498 and CSA

### Environmental

Flammability	UL 94 HB or better
IP Suitability	IP20
Operating Temperatures	Maximum continuous 75°C; minimum -40°C (w/o impact)



USE ROUND CORD  
TYPES 18/3 - 16/3 SV, SJ, S; 14/3 SJ WITH INSERTS;  
14/3 - 12/3 WITHOUT INSERTS.  
DIAMETER: .220 - .450 INCHES (5.5 - 11.3 MM) WITH INSERTS  
.460 - .660 INCHES (11.5 - 16.5 MM) WITHOUT INSERTS.

## Resources

Customer Use Drawing  
eCatalog

Dimensions in Inches (mm)

Hubbell Wiring Device-Kellems • Hubbell Incorporated (Delaware) • 40 Waterview Drive • Shelton, CT 06484

Phone (800) 288-6000 • Fax (800) 255-1031 • Specifications subject to change without notice.

