

Straight Blade Devices 15A, 277V AC, 2 Pole, 3 Wire Grounding Plug

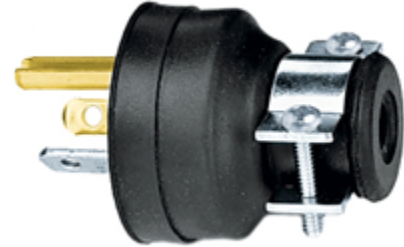
HUBBELL

Features

- Insulprene body
- External cord clamp
- Dead front construction

Ordering Information

Description	Cord Diameter	UPC	Catalog Number
Black elastomer with finger grip	.312"-.468"(7.9-11.9)	783585013251	HBL5929



Listings

CSA Certified to C22.2 No. 42 File 280

Specifications

Housing	Insulprene
Blade Holder	Nylon
Cord Clamp	Plated Steel
Blades	.060 in. (1.5) Brass
Terminal Screws	#8-32 Brass , multiple drive
Terminal Clamp	Nickel plated steel
Assembly Screws	Nickel plated steel

Performance

Electrical

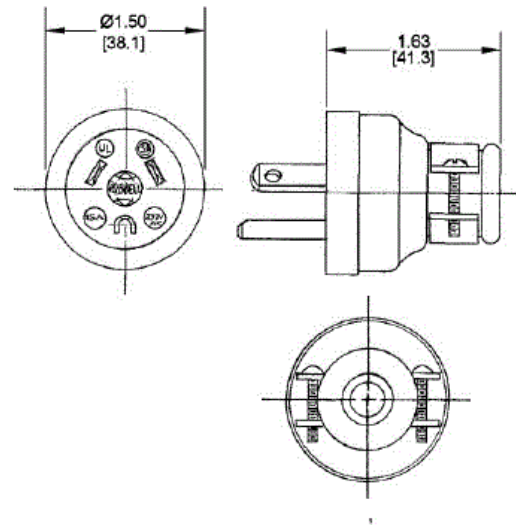
Current Interrupting	Certified for current interrupting at full rated current
Dielectric Voltage	Withstands 2,000V minimum

Mechanical

Cord Accomodation	.310"-.430"(7.9-11.9)
Terminal Accommodation	#18-12 AWG. Standed copper wire only.
Terminal Identification	Terminals identified in accordance with UL 498 and CSA

Environmental

Flammability	UL 94 HB or better
IP Suitability	IP20
Operating Temperatures	Maximum continuous 75°C; minimum -40°C (w/o impact)



Resources

Customer Use Drawing
eCatalog

Dimensions in Inches (mm)

Hubbell Wiring Device-Kellems • Hubbell Incorporated (Delaware) • 40 Waterview Drive • Shelton, CT 06484

Phone (800) 288-6000 • Fax (800) 255-1031 • Specifications subject to change without notice.

