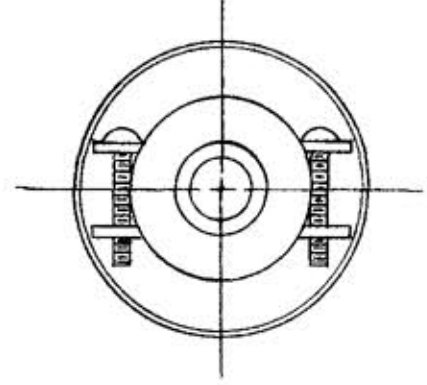
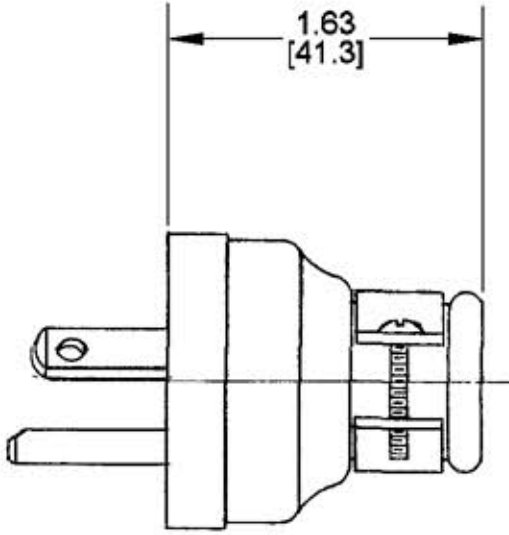
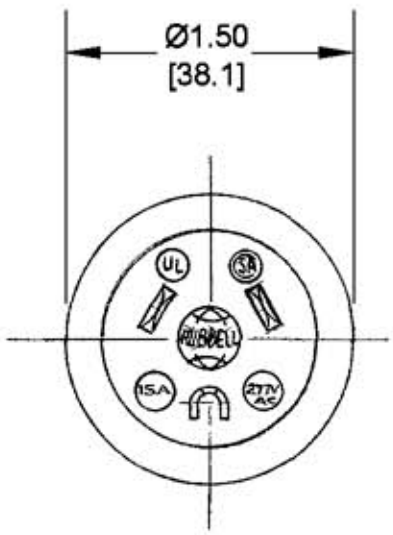


M-5027 1



NOTES: (UNLESS OTHERWISE SPECIFIED)

- 1) DIMENSION FORMAT IS: INCHES
[mm]
- 2) DIMENSIONS SHOWN ON THIS DRAWING ARE NOMINAL VALUES FOR GENERAL USE ONLY. ACTUAL PART TOLERANCES MUST BE OBTAINED FROM HUBBELL ENGINEERING.

CATALOG NO.	CORD DIA.	WITH CORD CLAMP	WITHOUT CORD CLAMP
HBL5929	.312-.468	X	

LIST OF PARTS		
DESCRIPTION	MATERIAL	FINISH
COVER	NEOPRENE	BLACK
BASE	NYLON	NATURAL
CONTACT BLADE	.060 BRASS	I-WHITE
BINDING SCREW	BRASS	I-WHITE
GRD. CONT. BLD.	.040 BRASS	
HEX. BINDING SCR.	BRASS	GREEN
CORD CLAMP	.062 STEEL	ZINC PL.
RD. HD. SCREW	STEEL	ZINC PL.

1	DUAL DIMENSIONS WERE FRACTIONAL ONLY; ADDED NOTES 1 & 2; REVISED DRAWING TITLE; REMOVED CAT. NO.'S 5928, 5930, & 5931; "HBL5929" WAS "5929"; PER DCN #8682. JMN	TCM	1/3/02
SYM	REVISIONS	APP	DATE

TITLE
15A. 277V. PLUG
NEMA #7-15P

TOLERANCES UNLESS OTHERWISE SPECIFIED FRACTIONS ± 1/64 DECIMALS ± .005 ANGLES ± 2°	HARVEY HUBBELL, INC.	
	BRIDGEPORT, CONN.	
	DR. BY <u>A.J.L.</u>	APP. BY
	TR. BY	SCALE <u>FULL</u>
CHK'D. BY	DATE <u>10-8-69</u>	