

Wallplates
Weatherproof Covers



Vertical, for FS/FD Box Mounting

Features

- Gray polycarbonate spring-loaded lift cover for weather proofing HBL26CM10 receptacle
- Gray thermoplastic, for FS/FD box mounting, corrosion resistant
- Meets the most stringent requirements of UL's three listing categories for weatherproof plates
- Single receptacle (1.56") cover plate, weatherproof



Ordering Information

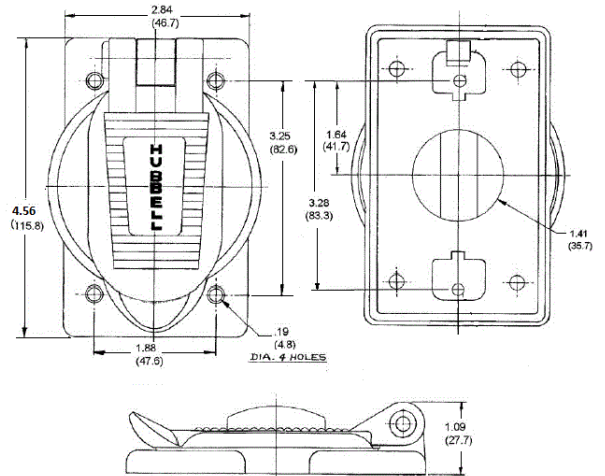
Description	Catalog Number	UPC
For switches and receptacles with face diameters of 1.55-1.58" (39.4-40.1),	HBL7425WOA	783585809465

Listings

UL Listed
CSA Certified

Specifications

Material	Thermoplastic
Gasket	Neoprene
Spring	Stainless steel
Hinge Pin	Stainless steel



Online Resources

Customer Use Drawing
eCatalog
Installation Instructions

Dimensions in Inches (mm)

Hubbell Wiring Device-Kellems • Hubbell Incorporated (Delaware) • 40 Waterview Drive • Shelton, CT 06484

Phone (800) 288-6000 • Fax (800) 255-1031 • Specifications subject to change without notice.

