

Wallplates  
Weatherproof Covers for Receptacles

# HUBBELL

## For FS/FD Box Mounting

### Features

- For use with 30A, 4 wire Hubbellock receptacles

### Ordering Information

Description	Color	Catalog Number	UPC
For use with 30A, 4 wire Hubbellock® receptacles, suitable for wet and damp	Gray	HBL7428WOG	783585809915

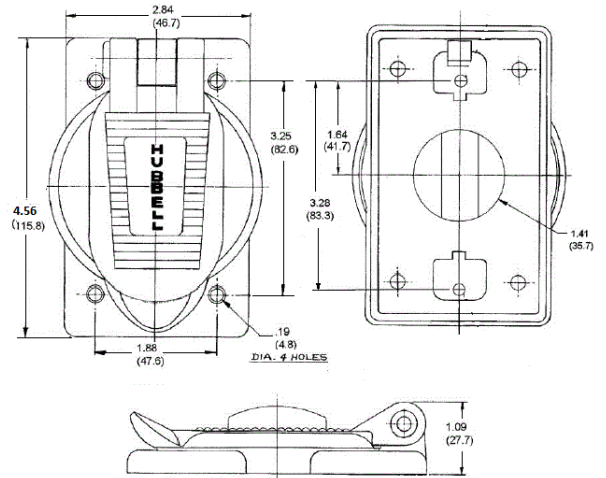


### Listings

UL Listed - Canadian and U.S.

### Specifications

Material	Thermoplastic
Cover Gasket	Neoprene
Spring	Stainless steel
Hinge Pin	Stainless steel



### Online Resources

[Customer Use Drawing](#)

[eCatalog](#)

[Installation Instructions](#)

Dimensions in Inches (mm)

Hubbell Wiring Device-Kellems • Hubbell Incorporated (Delaware) • 40 Waterview Drive • Shelton, CT 06484

Phone (800) 288-6000 • Fax (800) 255-1031 • Specifications subject to change without notice.

