

Twist-Lock® Devices
 Midget Twist-Lock® Weatherproof Accessories, 2
 Pole, 2 Wire Non-Grounding
 Weatherproof Boot

HUBBELL

Features

- Weather protective covering
- Durable thermoplastic elastomer material
- Ribbed design provides a secure grip



Ordering Information

| Description | Device Color | UPC | Catalog Number |
|---|--------------|--------------|----------------|
| Seal-Tite® triple seal short boot for 3W Midget Valise® Locking | Black | 783585237237 | HBL7459V |

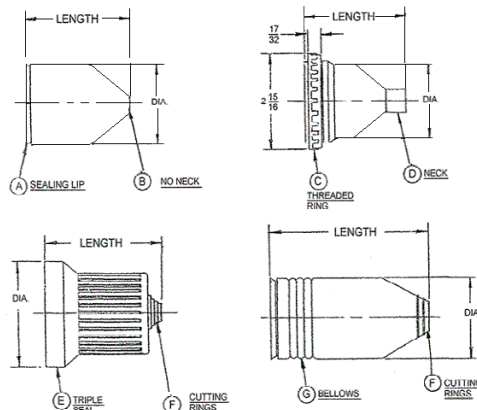
Specifications

| | |
|----------|-------------------------|
| Material | Thermoplastic Elastomer |
|----------|-------------------------|

Performance

Environmental

| | |
|------------------------|--|
| Moisture Resistance | IP55 |
| Operating Temperatures | Maximum Continuous 75°C Minimum -40°C (w/o impact) |



| CATALOG NO. | DIA. | LENGTH | COLOR | DETAILS |
|-------------|---------|---------|--------|---------|
| HBL60CM23 | 1 27/32 | 2 23/32 | YELLOW | A-F |
| HBL60CM24 | 2 19/32 | 3 29/32 | YELLOW | E-F |
| HBL60CM31V | 2 5/16 | 3 15/32 | YELLOW | A-F |
| HBL60CM32 | 3 1/32 | 4 13/16 | YELLOW | E-F |
| HBL60CM32V | 3 1/32 | 4 13/16 | YELLOW | E-F |
| HBL60CM33V | 3 1/8 | 2 5/16 | YELLOW | C-F |

| CATALOG NO. | DIA. | LENGTH | COLOR | DETAILS |
|-------------|-------|--------|--------|---------|
| HBL7440V | 1 3/8 | 1 7/8 | BLACK | E-D |
| PH7440 | 1 3/8 | 1 7/8 | YELLOW | A-B |
| PH7499 | 1 3/8 | 2 3/8 | YELLOW | A-B |
| HBL77CM15 | 2 5/8 | 5 3/8 | YELLOW | C-F-G |
| HBL77CM16 | 2 5/8 | 5 5/16 | YELLOW | A-F-G |
| HBL77CM17 | 2 5/8 | 6 5/16 | YELLOW | A-F-G |

Accessories

| | |
|-------------------------|--|
| Connector Accommodation | For use with a HBL7464V Connector and combination of HBL7465V plug and HBL74 cover |
|-------------------------|--|

Resources

Customer Use Drawing
 eCatalog

Dimensions in Inches (mm)

Hubbell Wiring Device-Kellems • Hubbell Incorporated (Delaware) • 40 Waterview Drive • Shelton, CT 06484

Phone (800) 288-6000 • Fax (800) 255-1031 • Specifications subject to change without notice.

