

Straight Blade Devices  
 15A, 125V, 2 Pole, 3 Wire Grounding  
 HBL® Extra Heavy Duty Hospital Grade  
 Duplex Receptacle

# HUBBELL

## Features

- Slender/compact design
- Impact-resistant finder groove face
- Triple wipe contacts
- Entire face illuminated by two LEDs

## Ordering Information

Description	Device Color	UPC	Catalog Number
Illuminated face, back and side wired.	Gray	783585016443	HBL8200ILGY

## Listings

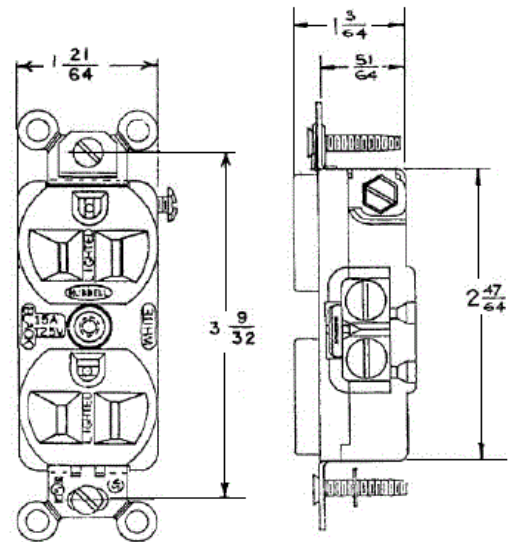
UL Listed to UL498 File No. E2186  
 Certified to CSA, C22.2, No. 42 File 285  
 Fed. Spec. W-C-596  
 NEMA® WD-6 Compliant

## Specifications

Face	Polycarbonate
Base	PBT
By-Pass Power Contacts	.036" (.9) Nickel plated brass
Ground Contacts	.031 in. (.8) Brass
Clamp	Nickel plated steel
Terminal Screws	Brass
Mounting Strap	Brass
Automatic Self-grounding Clip	.050 in. (1.3) Nickel plated brass
Mounting Screws	Stainless Steel

## Performance

<b>Electrical</b>	
Current Interrupting	Certified for current interrupting at full rated current
Dielectric Voltage	Withstands 2,000V minimum
<b>Mechanical</b>	
Product Identification	Ratings are a permanent part of the device
Terminal Accommodation	#14-#10 AWG copper stranded or solid conductor only
Terminal Identification	Terminals identified in accordance with UL 498 and CSA
<b>Environmental</b>	
Flammability	UL 94V-2
Operating Temperatures	Maximum continuous 75°C; minimum -40°C (w/o impact)



## Accessories

Wallplate or Weatherproof Cover Duplex Opening

## Resources

Customer Use Drawing  
 eCatalog

Dimensions in Inches (mm)

Hubbell Wiring Device-Kellems • Hubbell Incorporated (Delaware) • 40 Waterview Drive • Shelton, CT 06484

Phone (800) 288-6000 • Fax (800) 255-1031 • Specifications subject to change without notice.

