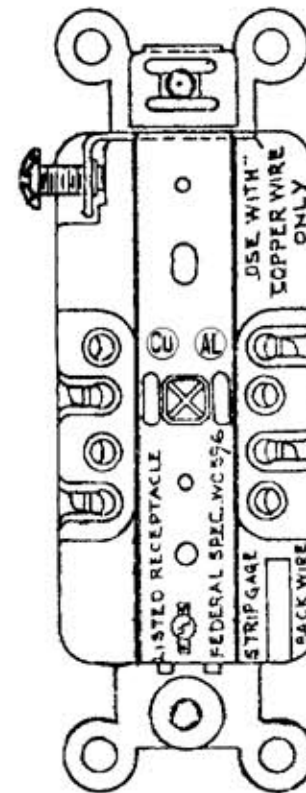
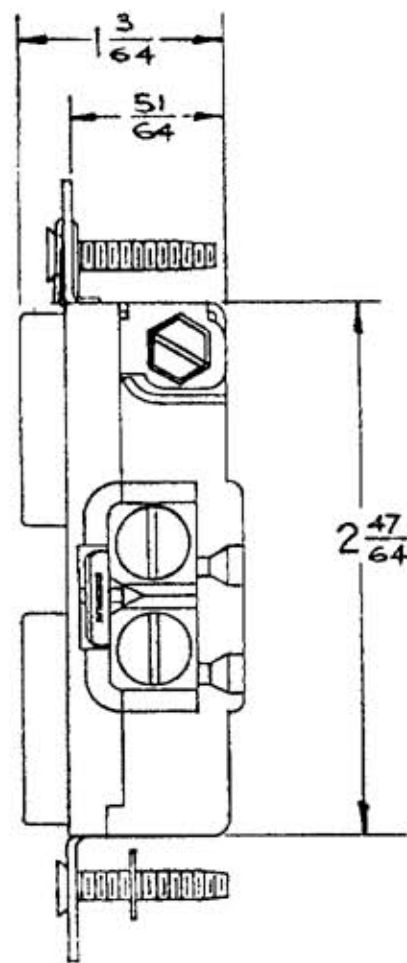
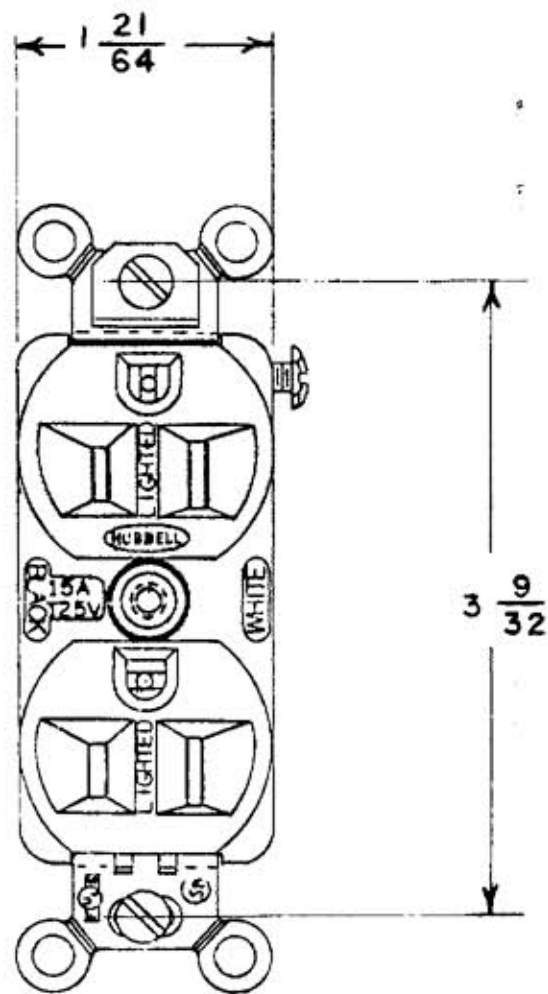


M-6954 3



IVORY	RED	WHITE	GRAY	CONFIGURATION	RATING
5262 ILI	5262 ILR	5262 ILW	5262 ILG		15A-125V
8200 ILI	8200 ILR	8200 ILW	8200 ILGY		20A-125V
5262 ILHA	5262 ILHRA				15A-125V
5362 ILHA	5362 ILHRA				20A-125V

NOTES: (UNLESS OTHERWISE SPECIFIED)
 1 THESE CAT. NO.'S CONTAIN ONLY (1) LIGHTED FACE.

LIST OF PARTS		
DESCRIPTION	MATERIAL	FINISH
TOP	POLYCARBONATE	
BULB ASSY		
BASE	POLYESTER	BLACK
CONT. SP. BIND. PLATE	.031 BRASS	
GR. CONTACT SPRING	.031 BRASS	
WIRE CLAMP	.062 C.S.	NICKEL PL.
BRIDGE	BRASS	
GROUND SPRING	ST. STEEL	
BINDING SCREWS	BRASS	*
HEX HD. BIND. SCREW	BRASS	GREEN
FLAT HD. MTG. SCREW	STEEL	RING PL.
WASHER	FIBER	RED
CENTER RIVET	BRASS	
WASHER	BRASS	

* WHITE FINISH ON NEUTRAL PARTS WHEN USED.

SYM.	REVISIONS	APP.	DATE
3	12/18/00 ADDED CU AND AL SYMBOLS TO REAR VIEW. PER DCN 8197 SPN	CJC	
2	CAT NO. 8200ILGY WAS 8200ILG AND 8300ILGY WAS 8300ILG DCN 29947	CB	9-9-94
1	ADDED CAT NOS 5262ILHA, 5362ILHA, 5262ILHRA, & 5362ILHRA TO TABLE PER DCN #2357. JMN	VVJH	10/25/93

THE DESIGN AND DIMENSIONS OF THE PRODUCT SHOWN ON THIS DRAWING ARE SUBJECT TO CHANGE WITHOUT NOTICE.

TITLE
 3-WIRE GROUNDING STRAIGHT BLADE ILLUMINATED DUPLEX RECEPTACLE SIDE & BACK WIRED

TOLERANCES UNLESS OTHERWISE SPECIFIED
 FRACTIONS ± 1/64
 DECIMALS ± .005
 ANGLES ± 2°

WIRING DEVICE DIVISION
 HARVEY HUBBELL, INC.
 BRIDGEPORT, CONN.
 DR. BY J.M.N. APP. BY V.V.H.
 TR. BY DATE 2/22/91
 CHK'D. BY P.J.T.

REPAIRABLE NON-REPAIRABLE

B M-6954

DIMENSION SHEET FOR CAT. NO.