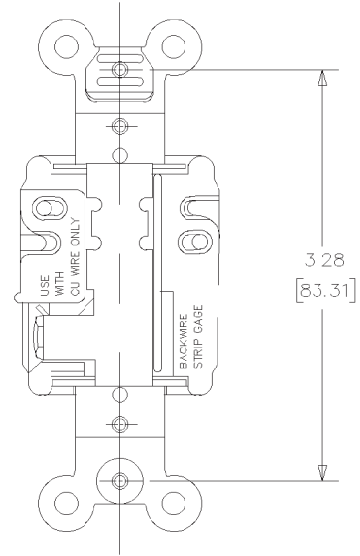
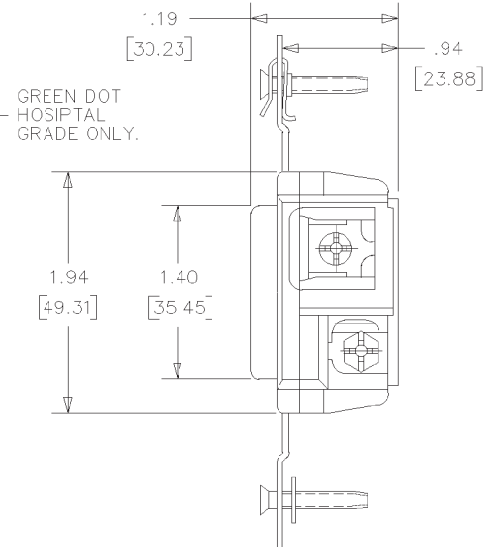
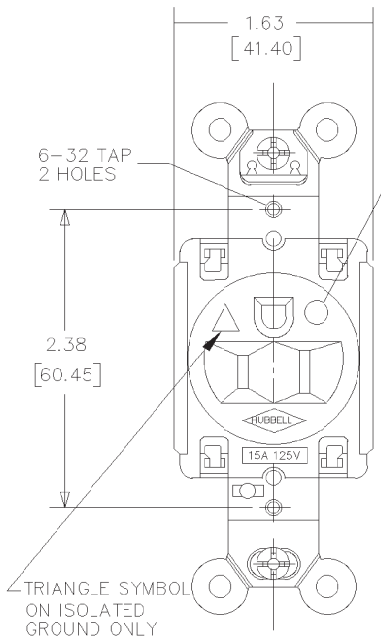


M-6404 8



STANDARD
MARINE
HOSPITAL GRADE

LIST OF PARTS		
DESCRIPTION	MATERIAL	FINISH
TOP	NYLON	SEE CHART
BASE	BENT POLYESTER	GREY
CONT.SP.BIND.PLATES	.040 BRASS	WHITE
CLAMPING PLATES	.031 BRASS	ON
BINDING SCREWS	BRASS	NEUTRAL
BRIDGE	.050 BRASS	
GROUND SPRING	ST. STEEL	
HEX HD. BIND.SCREW	BRASS	GREEN
WASHER	FIBER	RED
FLAT HD. MTG. SCREW	STEEL	ZINC P.LATE
-	-	-
-	-	-
CONT.SP.BIND.PLATES	.040 BRASS	1-WHITE
CLAMPING PLATES	.031 BRASS	1-BLACK
BINDING SCREWS	BRASS	
BRIDGE	.050 BRASS	TIN
HEX HD. BIND SCREW	BRASS	GREEN
WASHER	FIBER	RED
FLAT HD. MTG. SCREW	ST. STEEL	
-	-	-
-	-	-
CONT.SP.BIND.PLATES	.040 BRASS	1-WHITE
CLAMPING PLATES	.031 BRASS	1-BLACK
BINDING SCREWS	BRASS	
BRIDGE	.050 BRASS	NICKEL PLATE
HEX HD. BIND. SCREW	BRASS	GREEN
GR SPRING SHIELD	.020 STEEL	NICKEL PLATE
WASHER	FIBER	RED
FLAT HD. MTG. SCREW	ST. STEEL	
GROUND SPRING	ST. STEEL	
-	-	-
-	-	-

LINE	CATALOG NUMBERS			HOSPITAL GRADE	COLOR	CONFIGURATION	RATING
	RING TERMINAL	STANDARD	MARINE				
1	HBL5261RT	HBL5261	-	HBL8210	BROWN	NEMA 5-15R	15A 125V
2	-	-	-	HBL8210GY	GRAY		
3	-	HBL5261I	-	HBL8210I	IVGRY		
4	-	-	-	HBL8210R	RED		
5	HBL5261WRT	-	-	HBL8210W	WHITE		
6	HBL5261YRT	-	HBL52CM61	-	YELLOW	NEMA 5-20R	20A 125V
7	-	IG5261	-	IG8210	ORANGE/IG		
8	-	-	-	HBL8210LA	LT. ALMOND		
9	HBL5361RT	HBL5361	-	HBL8310	BROWN		
10	-	HBL5361GRY	-	HBL8310GY	GRAY		
11	-	HBL5361I	-	HBL8310I	IVGRY		
12	-	-	-	HBL8310R	RED		
13	-	-	-	HBL8310W	WHITE		
14	-	-	HBL53CM61	-	YELLOW		
15	-	IG5361	-	IG8310	ORANGE/IG		
16	-	-	-	HBL8310AL	ALMOND		
17	-	HBL5361LA	-	HBL8310LA	LT. ALMOND		
18	-	HBL5461	-	-	BROWN	NEMA 6-20R	20A 250V
19	-	HBL5461I	-	-	IVGRY		
19A	-	HBL5461LA	-	-	LT. ALMOND	NEMA 6-15R	15A 250V
20	HBL5661RT	HBL5661	-	-	BROWN		
21	-	HBL5661I	-	-	IVGRY		
22	-	-	-	-	-		
23	-	-	-	-	-		

NOTES:
1. CATALOG NUMBERS WITH SUFFIX "RT" ARE CSA CERTIFIED AND UL RECOGNIZED FOR USE WITH RING TERMINALS.
2. CATALOG NUMBERS WITH SUFFIX "RT" DO NOT HAVE WIRE GUIDE AND TERMINAL SCREWS ARE PACKED SEPARATELY IN A POLYBAG

DIMENSIONS = INCHES [mm]

SYM	REVISIONS	APP	DATE
8	ADDED HBL5361LA AND HBL5461LA TO TABLE. ADDED "SEE TABLE" TO DIM. SHEET PER DCN 19298. MYA	DJP	1/28/13
7	ADDED HBL8210LA, LT. ALMOND & HBL8310LA, LT. ALMOND TO TABLE PER DCN 15753 RCM	DJP	5/14/09
6	TABLE, ADDED ALMOND AND HBL8300HAL PER DCN 14311	SPN JPP	10/18/07
5	CHART, PICTORIAL UPDATE TO CONFIG. COLUMN 6-2CR ILLUSTRATION WAS 5-20. IN (LIST OF PARTS) BASE WAS MELAMINE NOW REINF POLYESTER. WAS MELAMINE. DCN13327	GPK DJP	9/18/06

THE DESIGN AND DIMENSIONS OF THE PRODUCT SHOWN ON THIS DRAWING ARE SUBJECT TO CHANGE WITHOUT NOTICE

TITLE
STANDARD-MARINE-HOSPITAL GRADE
3 WIRE GROUNDING
SINGLE STRAIGHT BLADE RECEPTACLE
WITH BACK & SIDE WIRING

TOLERANCES UNLESS OTHERWISE SPECIFIED
FRACTIONS ±1/64
DECIMALS ±.005
ANGLES ±2'

WIRING DEVICE-KELLEMS
HUBBELL INCORPORATED
BRIDGEPORT, CT

DR. BY GPK APP. BY DJP
TR. BY SCALE 1:1
CHK'D BY TCM DATE 9-7-06

DIMENSION SHEET FOR CAT. NO. M-6404
REPAIRABLE NON-REPAIRABLE B