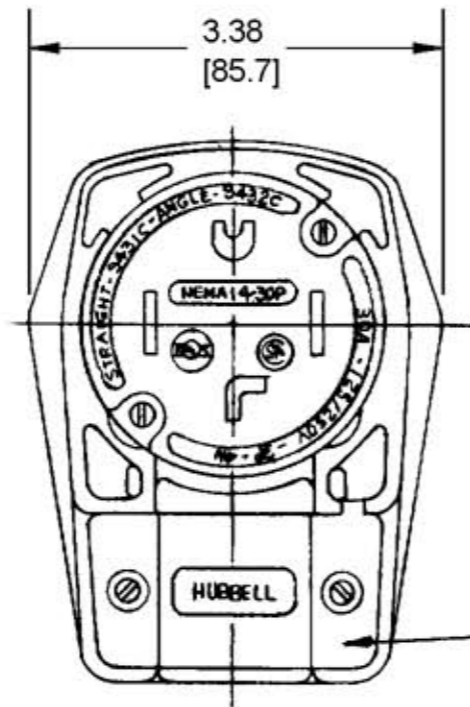
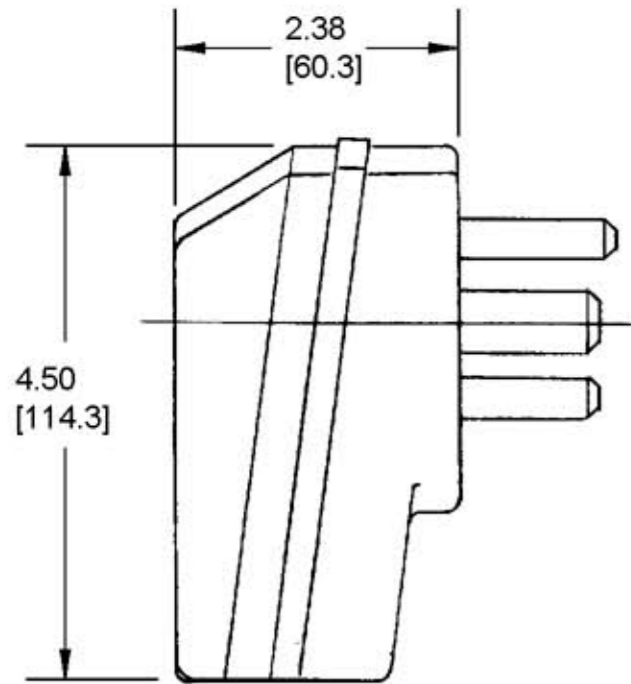


M-6824 2



CORD GRIP RANGE
 Ø.625 TO Ø1.310
 [15.88] [33.27]

CAT NO.	CONFIGURATION	RATING	WIRE	C.S.A.	U.L.	FED. SPEC.
HBL9432C	NEMA 14-30P	30A-125/250V	3P-4W	YES	YES	YES
HBL9452C	NEMA 14-50P	50A-125/250V	3P-4W	YES	YES	YES
HBL9462C	NEMA 14-60P	60A-125/250V	3P-4W	YES	YES	YES
HBL8432C	NEMA 15-30P	30A-3Ø-250V	3P-4W	YES	YES	YES
HBL8452C	NEMA 15-50P	50A-3Ø-250V	3P-4W	YES	YES	NO
HBL8462C	NEMA 15-60P	60A-3Ø-250V	3P-4W	YES	YES	NO
HBL8352C	NEMA 18-50P	50A-3ØY-120/208V	4P-4W	NO	YES	NO
HBL7302C	NEMA 18-60P	60A-3ØY-120/208V	4P-4W	NO	YES	YES

NOTES: (UNLESS OTHERWISE SPECIFIED)

- 1) BOX TERMINALS WILL ACCEPT #12 - #4 GAGE WIRE.
- 2) DIMENSION FORMAT IS: INCHES [mm]
- 3) DIMENSIONS SHOWN ON THIS DRAWING ARE NOMINAL VALUES FOR GENERAL USE ONLY. ACTUAL PART TOLERANCES MUST BE OBTAINED FROM HUBBELL ENGINEERING.

LIST OF PARTS

DESCRIPTION	MATERIAL	FINISH
BLADE HOLDER	POLYESTER	
BLADES	BRASS	
BOX TERMINALS	COPPER	
TERMINAL SCREW	STEEL	ZINC PL.
RETAINER	POLYESTER	
MTG. & CLAMP SCREW	STAIN ST.	
ANGLE HOUSING	NYLON	
CLAMP	POLYESTER	

SYM	REVISIONS	APP	DATE
2	DUAL DIMENSIONS WERE FRACTIONAL ONLY; ADDED "HBL" TO ALL CATALOG NO.'S; ADDED NOTES 2 & 3; REMOVED CAT. NO. 8332C; PER DCN #8682. JMN	TCM	12/12/01
1	ON CAT. NO. 8432C FED SPEC. WAS NO & CAT. NO. 8462C WAS YES. ON CAT. NO. 8332C, 8352C & 7302C WIRE WAS 3P-3W, CSA WAS "YES" & UL WAS "NO" RCM	MM	3-16-90

THE DESIGN AND DIMENSIONS OF THE PRODUCT SHOWN ON THIS DRAWING ARE SUBJECT TO CHANGE WITHOUT NOTICE.

TITLE
30,50,60 AMP
ANGLE PLUGS

TOLERANCES UNLESS OTHERWISE SPECIFIED	WIRING DEVICE DIVISION HARVEY HUBBELL, INC. BRIDGEPORT, CONN.	
FRACTIONS ± 1/64	DR. BY <u>AJL</u>	APP. BY _____
DECIMALS ± .005	TR. BY _____	SCALE <u>2</u>
ANGLES ± 2°	CHK'D BY _____	DATE <u>1-29-90</u>

CODE 74545

DIMENSION SHEET FOR CAT. NO. SEE TABLE
 REPAIRABLE NON-REPAIRABLE **B M-6824 2**