

Straight Blade Devices  
 20A, 250V, 2 Pole, 3 Wire Grounding  
 Hospital Grade Valise® Plug

# HUBBELL

## Features

- Hinged one piece body design for easy assembly
- Powerful, offsetting cord grips clamp on individual conductors

## Ordering Information

Description	Cord Diameter	UPC	Catalog Number
Valise plug, white	.300"-.660" (7.6-16.8)	783585016375	HBL8464V



## Listings

UL Listed to UL498 File No. E1706  
 CSA Certified to C22.2 No 42 File 280C  
 Fed. Spec. W-C-596  
 NEMA® WD-6 Compliant

## Specifications

Housing	Nylon
Blades	Brass
Assembly Screws	Stainless steel
Cable Inserts	PPO

## Performance

### Electrical

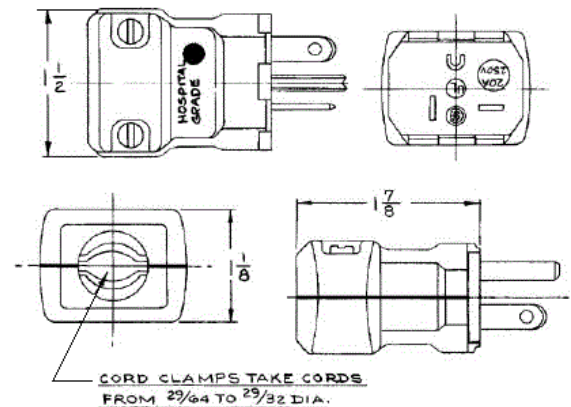
Current Interrupting Certified for current interrupting at full rated current  
 Dielectric Voltage Withstands 2000V AC minimum

### Mechanical

Product Identification Ratings are a permanent part of the device  
 Terminal Accommodation #18-#12 AWG stranded copper wire only  
 Terminal Identification Terminals identified in accordance with UL 498 and CSA

### Environmental

Flammability UL 94 HB  
 IP Suitability IP20  
 Operating Temperatures Maximum continuous 75°C; minimum -40°C (w/o impact)



## Resources

Customer Use Drawing  
 eCatalog

Dimensions in Inches (mm)

Hubbell Wiring Device-Kellems • Hubbell Incorporated (Delaware) • 40 Waterview Drive • Shelton, CT 06484

Phone (800) 288-6000 • Fax (800) 255-1031 • Specifications subject to change without notice.

