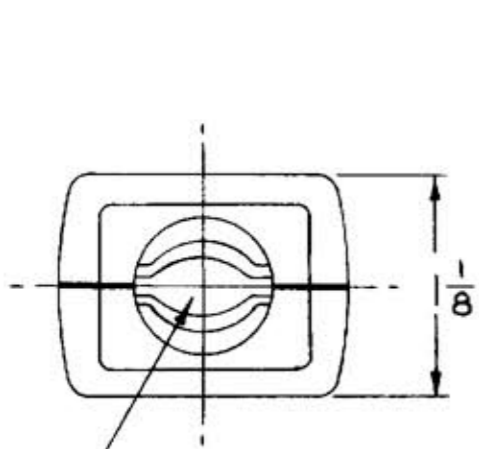
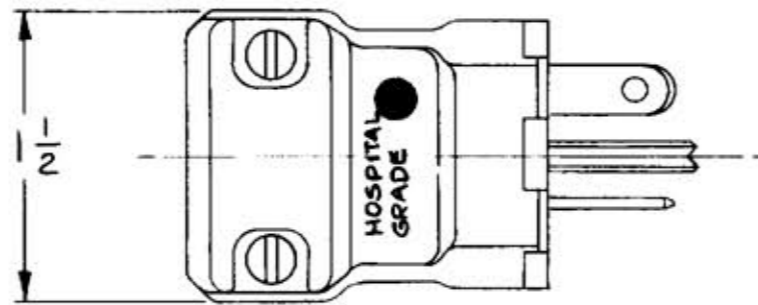
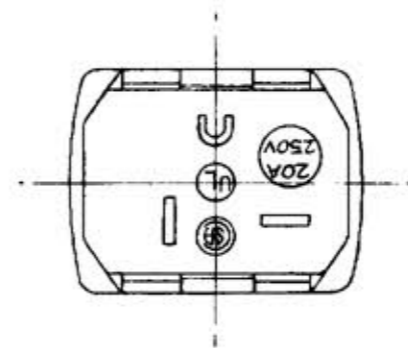
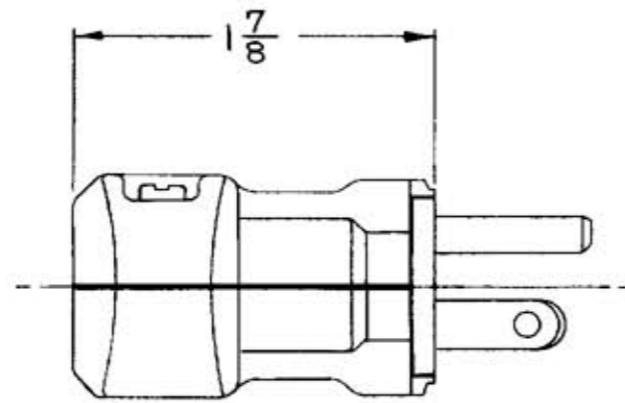


M-6101 1



CORD CLAMPS TAKE CORDS
FROM $\frac{29}{64}$ TO $\frac{29}{32}$ DIA.



LIST OF PARTS

DESCRIPTION	MATERIAL	FINISH
HOUSING	NYLON	WHITE
CONTACT BLADES	BRASS	
WIRE CLAMPS	STEEL	NICKEL PL
BINDING SCREWS	STEEL	COPPER
HEX. BIND'G SCREW	STEEL	GREEN
CORD CLAMP SCR'S	STEEL	YELL. CHRO.

DIMENSION SHEET FOR CAT. NO. B464-V

REPAIRABLE NON-REPAIRABLE

SYM	REVISIONS	APP	DATE
1	ROTATED LETTERING 180° HOUSING FINISH WAS NATURAL	KF	9-28-77

B M-6101

TITLE
HOSPITAL GRADE 20A. 250V.
3 WIRE DEAD FRONT
NYLON VALISE PLUG

HARVEY HUBBELL, INC.
 BRIDGEPORT, CONN.
 DR. BY KF APP. BY _____
 TR. BY _____ SCALE FULL
 CHK'D. BY _____ DATE 10-7-77