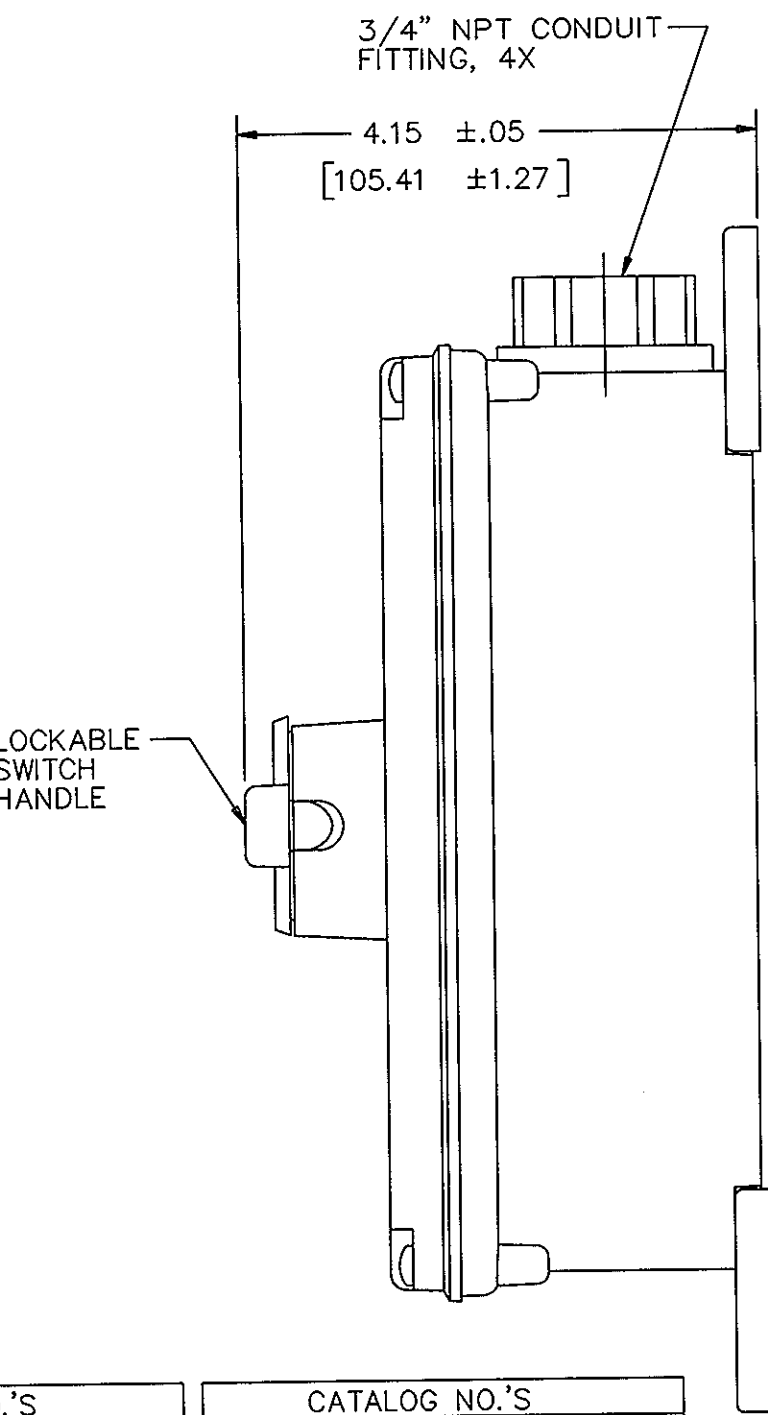
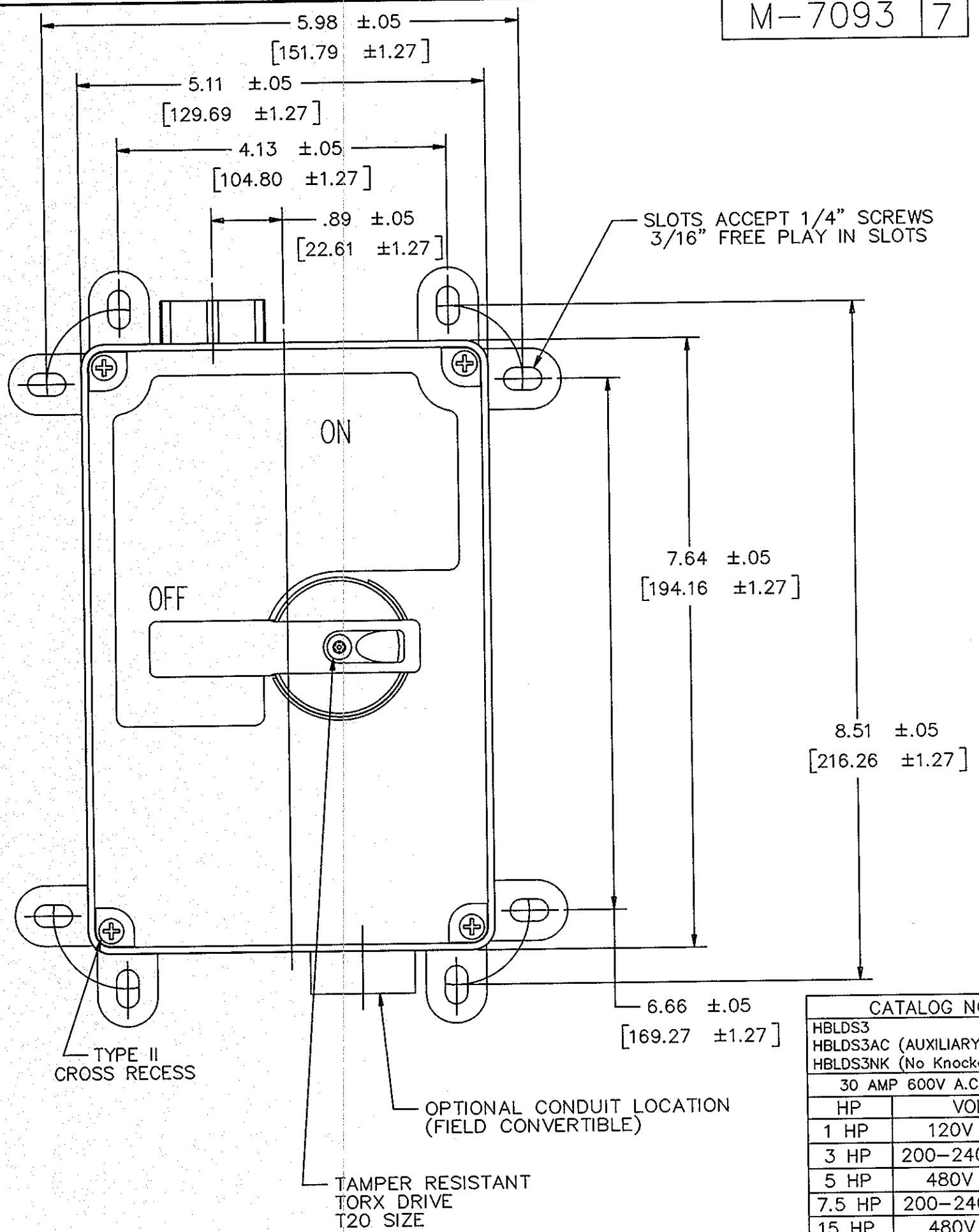


M-7093 | 7

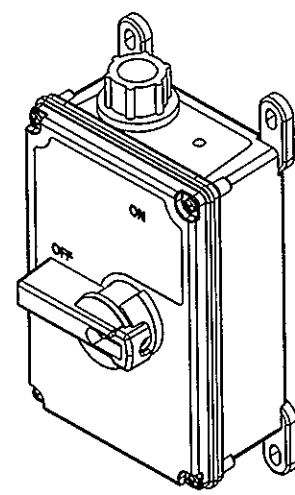


| CATALOG NO.'S | |
|------------------------------|----------------------|
| HBLDS3 | |
| HBLDS3AC (AUXILIARY CONTACT) | |
| HBLDS3NK (No Knockouts) | |
| 30 AMP 600V A.C. RATINGS | |
| HP | VOLTAGE |
| 1 HP | 120V AC 1 ϕ |
| 3 HP | 200-240V AC 1 ϕ |
| 5 HP | 480V AC 1 ϕ |
| 7.5 HP | 200-240V AC 3 ϕ |
| 15 HP | 480V AC 3 ϕ |
| 15 HP | 600V AC 3 ϕ |

| CATALOG NO.'S | |
|------------------------------|----------------------|
| HBLDS33ACNK (3 AUX. CONTACT) | |
| 30 AMP 600V A.C. RATINGS | |
| HP | VOLTAGE |
| 1 HP | 120V AC 1 ϕ |
| 2.5 HP | 220-277V AC 1 ϕ |
| 5 HP | 480V AC 1 ϕ |
| 5 HP | 208-240V AC 1 ϕ |
| 10 HP | 480V AC 3 ϕ |
| 10 HP | 600V AC 3 ϕ |

LIST OF PARTS

| DESCRIPTION | MATERIAL | FINISH |
|----------------------------------|---|--------|
| ALL EXTERNAL PLASTIC PARTS | UV STABILIZED POLYESTER/POLYCARBONATE BLEND | |
| FRAME | GALVANIZED STEEL | |
| ALL EXTERNAL SCREWS AND HARDWARE | STAINLESS STEEL | |
| CONDUIT HUB | ZINC | |



CATALOG NO. HBLDS3 (NOT SHOWN TO SCALE)

| SYM | REVISIONS | APP | DATE |
|-----|---|-----|----------|
| 7 | ADDED ISO VIEW TO INDICATE SOLID MODEL EMBEDDED IN DRAWING. PER DCN 21895 | DJP | 02/22/16 |
| 6 | ADDED CAT. NO. HBLDS3NK PER DCN 14639 | WRV | 9/20/07 |
| 5 | ADDED RATING TABLE PER DCN 14262 | TLS | 9/20/07 |
| 4 | REVISED RATING TABLE PER DCN #13625 | TLS | 1/26/07 |

THE DESIGN AND DIMENSIONS OF THE PRODUCT SHOWN ON THIS DRAWING ARE SUBJECT TO CHANGE WITHOUT NOTICE

TITLE
CIRCUIT-LOCK™
DISCONNECT SWITCH

| | | |
|--|---|---------------|
| TOLERANCES UNLESS OTHERWISE SPECIFIED FRACTIONS ±1/64 DECIMALS ±.005 ANGLES ±2° | WRING DEVICE-KELLEMS HUBBELL INCORPORATED SHELTON, CT | |
| | DR. BY PG | APP. BY WRV |
| | TR. BY | SCALE NONE |
| | CHK'D BY WRV | DATE 11/11/92 |

DIMENSION SHEET FOR CAT. NO. M-7093
 REPAIRABLE NON-REPAIRABLE
 B
 M-7093
 7