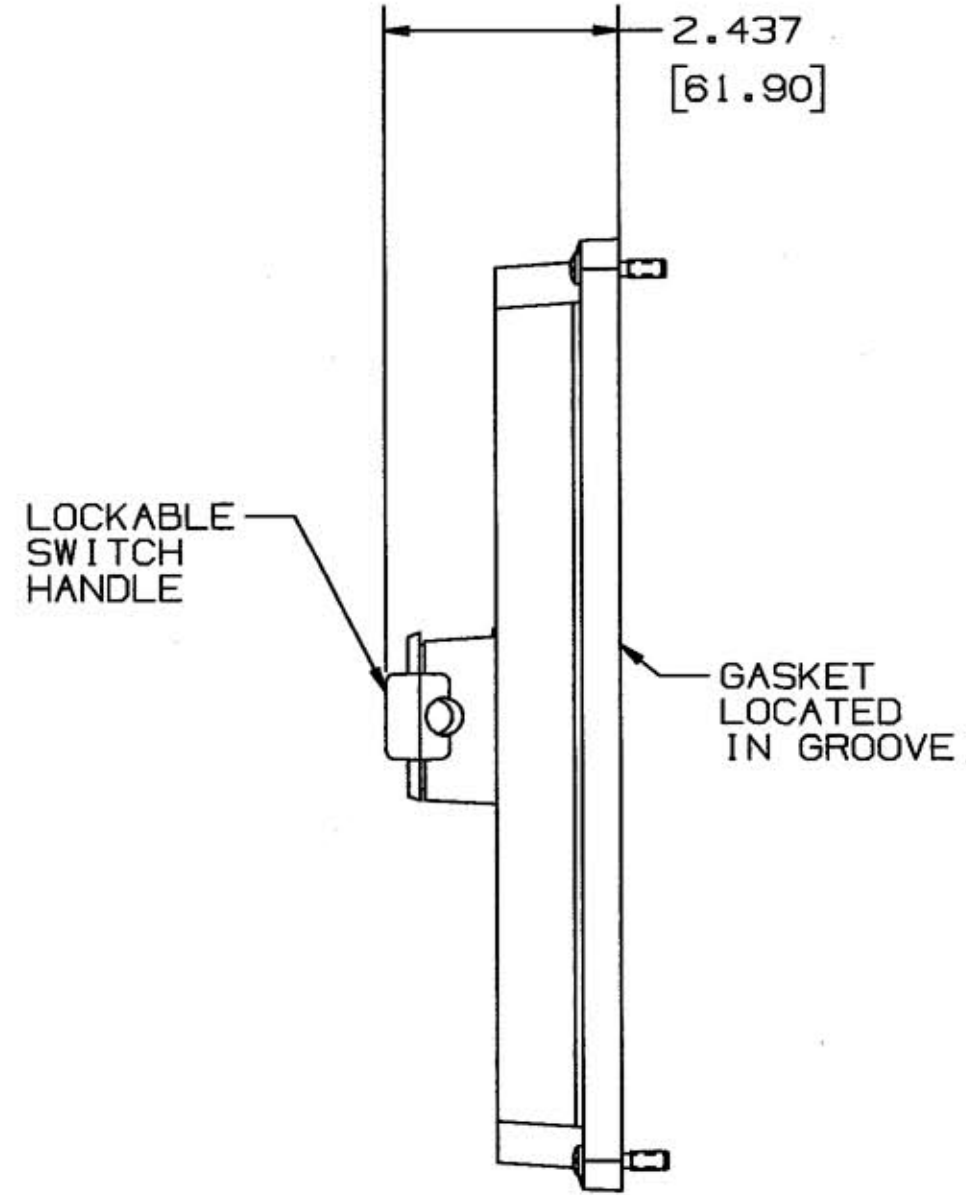
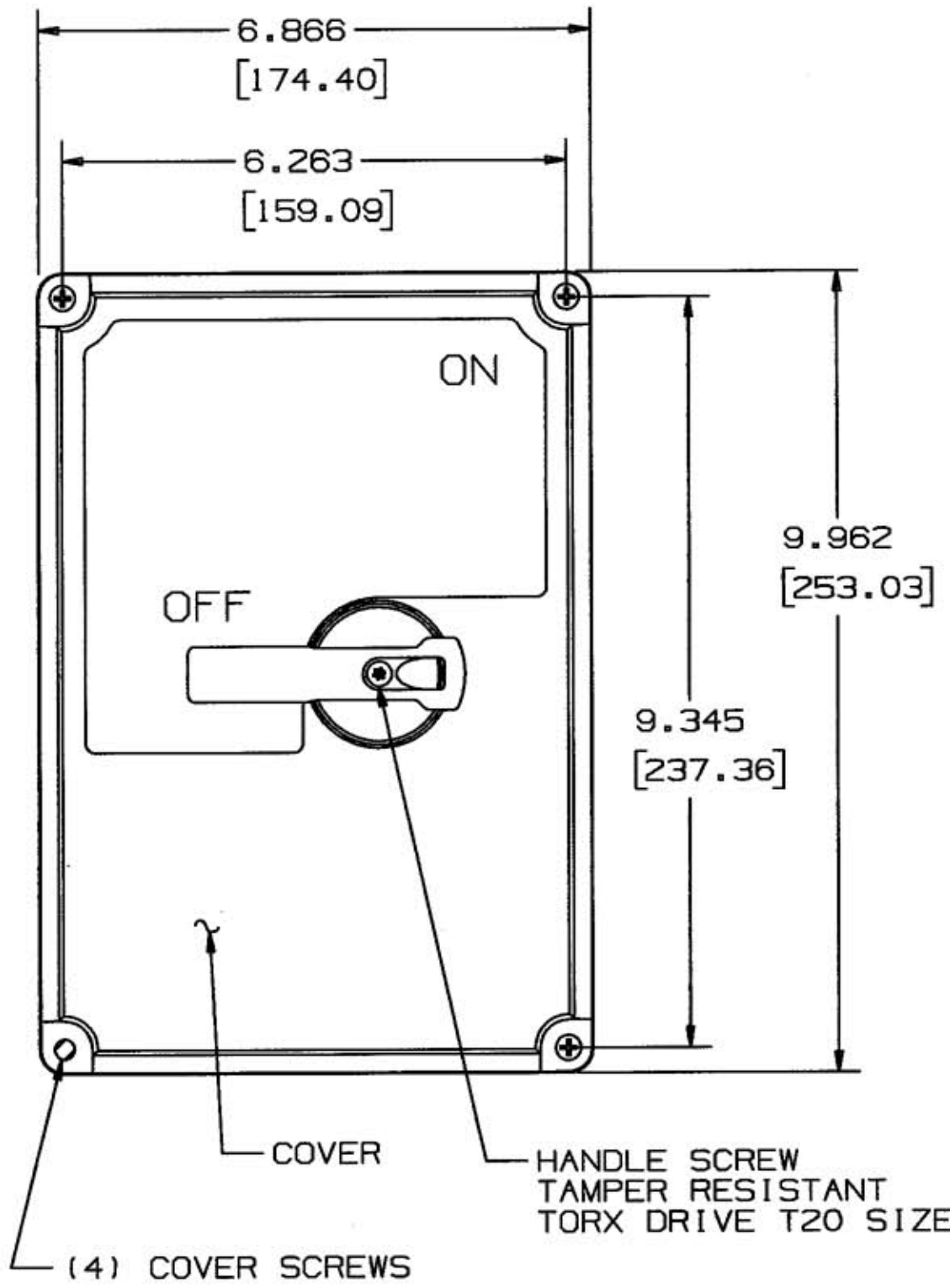


M-9942 1



CATALOG NO.'S	REPLACEMENT COVER FOR
HBLDS6RC	HBLDS6/HBLDS6AC
HBLDS10RC	HBLDS10/HBLDS10AC

DIMENSIONS IN INCHES [ mm ]

LIST OF PARTS

DESCRIPTION	MATERIAL	FINISH
COVER	PBT	MT-11010
SHAFT ADAPTER	PBPT	SMOOTH
HANDLE	PBPT	MT-11010
(4) COVER SCREWS	ST. STEEL	
HANDLE SCREW	ST. STEEL	
GASKET	NEOPRENE	

1	NEW RELEASE PER DCN #12654 MJM	TLS	10/14/05
SYM	REVISIONS	APP	DATE

THE DESIGN AND DIMENSIONS OF THE PRODUCT SHOWN ON THIS DRAWING ARE SUBJECT TO CHANGE WITHOUT NOTICE

TITLE  
REPLACEMENT COVER ASSY.

TOLERANCES UNLESS OTHERWISE SPECIFIED FRACTIONS ± 1/64 DECIMALS ± .005 ANGLES ± 2°	WIRING DEVICE-KELLEMS HUBBELL INCORPORATED BRIDGEPORT, CT	
	DR. BY MJM	APP. BY TLS
	TR. BY	SCALE HALF
	CHK'D BY TLS	DATE 10/14/05

DIMENSION SHEET FOR CAT. NO. REPAIRABLE  NON-REPAIRABLE  B M-9942 1