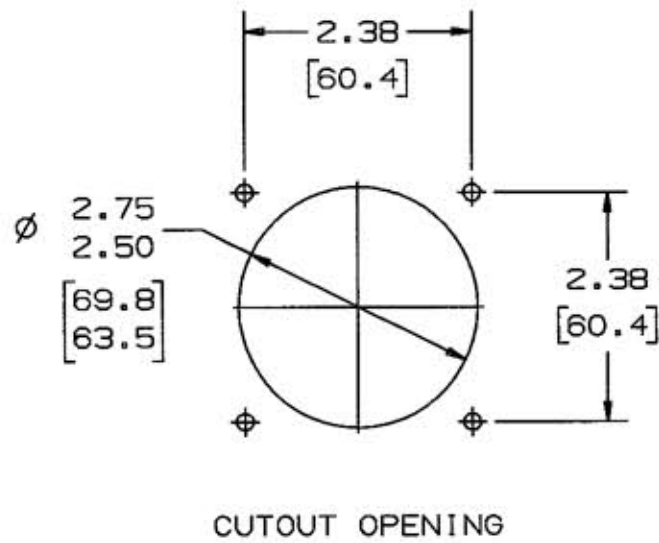
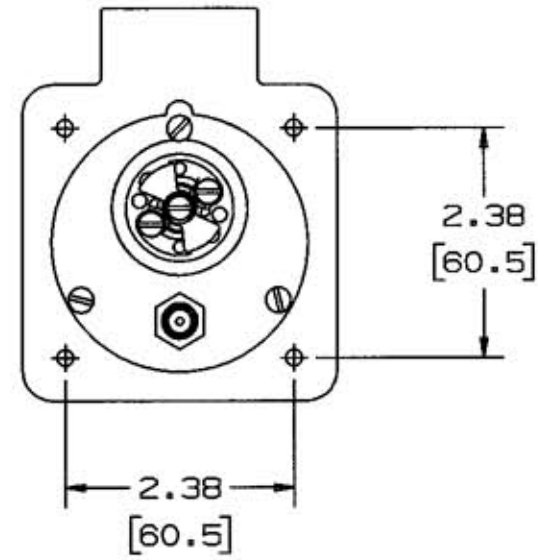
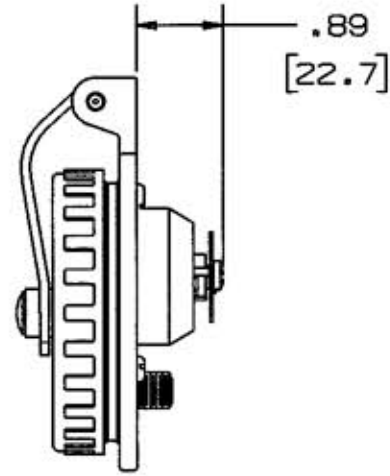
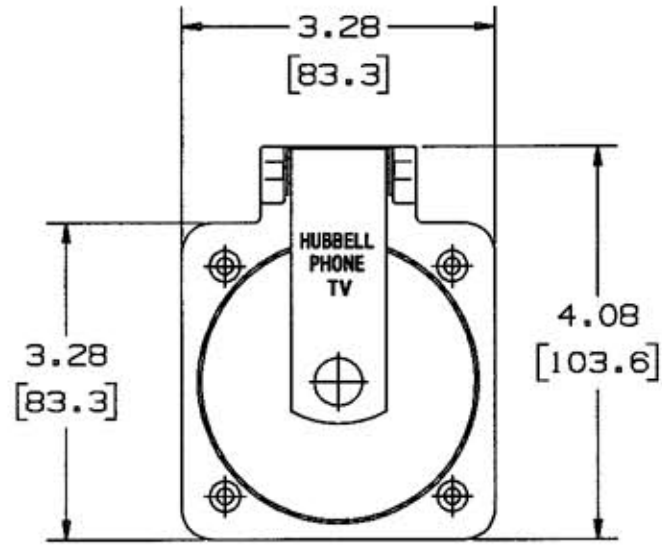


M-8351 1



CUTOUT OPENING

LIST OF PARTS

DESCRIPTION	MATERIAL	FINISH
COVER	ST. STEEL	
THREADED BODY	ST. STEEL	
INTERIOR	NYLON	
INTERIOR SCREWS	BRASS	CHROME PLATED
MOUNTING SCREWS	ST. STEEL	
GASKETS	NEOPRENE	

SYMBOL	REVISIONS	APP	DATE
1	X" REMOVED, LAST X-REVISION WAS X-0 PER DCN #6685 RCM	<i>[Signature]</i>	7/31/01

THE DESIGN AND DIMENSIONS OF THE PRODUCT SHOWN ON THIS DRAWING ARE SUBJECT TO CHANGE WITHOUT NOTICE

TITLE
STAINLESS STEEL
SHORE PHONE/TV INLET

TOLERANCES UNLESS OTHERWISE SPECIFIED	WIRING DEVICE-KELLEMS HUBBELL INCORPORATED BRIDGEPORT, CT	
FRACTIONS ± 1/64	DR. BY RCM	APP. BY
DECIMALS ± .005	TR. BY	SCALE .5 : 1
ANGLES ± 2°	CHK'D BY	DATE 7/31/01

DIMENSION SHEET FOR CAT. NO. HBLPHTVSS REPAIRABLE NON-REPAIRABLE B M-8351 1