

Twist-Lock® Devices

20A, 125/250V AC, 3 Pole, 4 Wire Grounding

Single Flush Receptacle

HUBBELL

Features

- Insulation barrier construction isolates ground contact from mounting strap
- Wire restraint recess for both back and side wiring, greatly reduces the possibility of loosening the terminal connection
- High-impact, abuse-resistant nylon face
- All-brass mounting and grounding system provides a lower resistance ground path and greater resistance to corrosion than steel mounting systems

Ordering Information

Description	Device Color	UPC	Catalog Number
Isolated ground, nylon	Orange	783585872360	IG2410

Listings

Listed to UL 498
Fed.Spec. W-C-596
Certified to CSA C22.2 No.42

Specifications

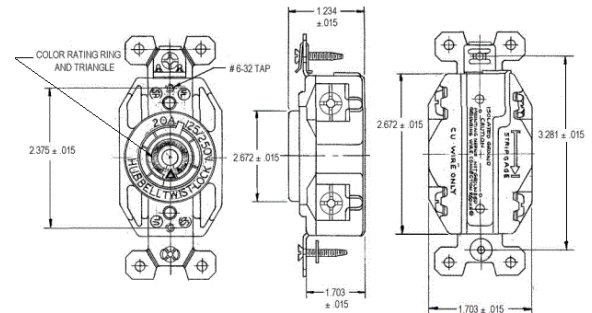
Face	Nylon
Base	RTP
Contacts	Brass
Terminal Screws	#10 - 32 Brass
Mounting Strap	Brass

Performance

Electrical	
Current Interrupting	Certified for current interrupting at full rated current
Dielectric Voltage	Withstands 2,000V minimum
Mechanical	
Flammability	V2 or better per UL94/CSA 22.2 No.0.17
Terminal Accommodation	#16 AWG - #8 AWG solid or stranded copper wire.
Terminal Identification	Terminals identified in accordance with UL 498
Environmental	
Moisture Resistance	IP20 Suitability
Operating Temperatures	Maximum Continuous 75°C; Minimum -40°C (w/o impact)



20A 125/250V AC
NEMA L14-20R
UL/CSA
2 (1) HP



Online Resources

Customer Use Drawing
eCatalog
Installation Instructions

Accessories

Plug
Wallplate or Weatherproof Cover

HBL2411
1.60" Opening

Dimensions in Inches (mm)

Hubbell Wiring Device-Kellems • Hubbell Incorporated (Delaware) • 40 Waterview Drive • Shelton, CT 06484

Phone (800) 288-6000 • Fax (800) 255-1031 • Specifications subject to change without notice.

