

Straight Blade Devices  
 15A, 125V, 2 Pole, 3 Wire Grounding  
 Hubbell-Pro™ Heavy Duty Duplex  
 Receptacle

# HUBBELL

## Features

- Triangle marking on face indicates isolated ground
- Slender/compact design
- Smooth Face

## Ordering Information

Description	Device Color	UPC	Catalog Number
Isolated ground, back and side wired	Orange	783585146706	IG5252

## Listings

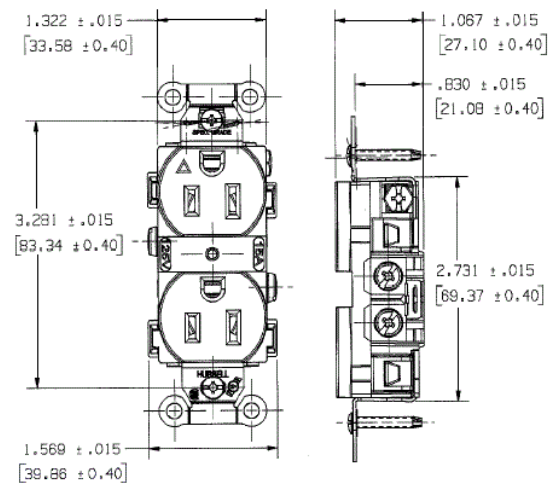
UL Listed to UL498 File No. E2186  
 Certified to CSA 22.2, No. 42 File 285  
 Fed. Spec. W-C-596  
 NEMA® WD-6 Compliant

## Specifications

Face	Nylon
Base	Nylon
Power Contact	.031" (.8) Brass
Ground Contacts	.031" (.8) Brass
Clamp	Nickel plated steel
Terminal Screws	Brass
Mounting Strap	Galvanized steel
Automatic Self-grounding Clip	Stainless steel
Mounting Screws	Stainless Steel

## Performance

Electrical	
Current Interrupting	Certified for current interrupting at full rated current
Dielectric Voltage	Withstands 2,000V minimum
Mechanical	
Product Identification	Ratings are a permanent part of the device
Terminal Accommodation	#14-#10 AWG copper stranded or solid conductor only
Terminal Identification	Terminals identified in accordance with UL 498 and CSA
Environmental	
Flammability	UL 94 V-2
Operating Temperatures	Maximum continuous 75°C; minimum -40°C (w/o impact)



## Accessories

Wallplate or Weatherproof Cover Duplex Opening

## Resources

Customer Use Drawing  
 eCatalog

Dimensions in Inches (mm)

Hubbell Wiring Device-Kellems • Hubbell Incorporated (Delaware) • 40 Waterview Drive • Shelton, CT 06484

Phone (800) 288-6000 • Fax (800) 255-1031 • Specifications subject to change without notice.

