

UL 1686 C1 Pin and Sleeve
200A, 600/250V AC/DC, 4 Pole, 5 Wire



Insulgrip® Pin and Sleeve Corrosion Resistant Receptacle

Features

- Watertight neoprene sealing glands for reliable seal
- Pin chamber confines arcing within the interior chamber

Ordering Information

Description	UPC	Catalog Number
Pin and Sleeve, Watertight Insulgrip Receptacle	783585161839	M5200RS1
Device Color	Aluminum	

Standards

UL Standard 1682
 CSA Certified to CSA Spec. C22.2 No. 182.1
 UL Listed and CSA Certified Type 4X

Specifications

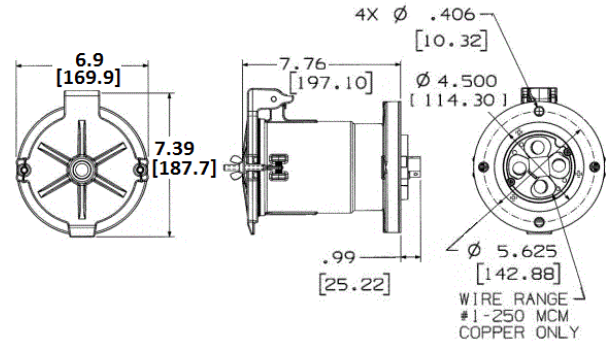
Housing	Epoxy Painted Aluminum
Gaskets & Seals	Neoprene
Contact Carrier	Thermoset Polyester
Pin Spring	Beryllium Copper
Cover	Epoxy Painted Aluminum

Performance

Electrical	
Current Interrupting	Certified for current interrupting at full rated current
Dielectric Voltage	Withstands 3,000V AC
Max. Working Voltage	600V AC RMS
Mechanical	
Impact Resistance	Per CSA C22.2, No. 182.1, UL 1682
Product Identification	Identification and ratings are permanently fastened to the device housing
Terminal Identification	Terminals identified in accordance with UL 1686(1, 2, 3, Green)
Environmental	
Flammability (Enclosure)	UL 94V-0 and CSA C22.2 No. 0.17
Moisture Resistance	Type 3, 4, 4X per UL 50E and CSA 22.2, No. 94
Operating Temperatures	Max. Continuous 75°C; Min. -40°C w/o impact -25° with impact

Online Resources

- Customer Use Drawing
- eCatalog
- Installation Instructions



Dimensions in Inches (mm)

Hubbell Wiring Device-Kellems • Hubbell Incorporated (Delaware) • 40 Waterview Drive • Shelton, CT 06484

Phone (800) 288-6000 • Fax (800) 255-1031 • Specifications subject to change without notice.

