

Panel Safe, 1) DB9, 1) 15A 125V GFCI Receptacle, NEMA 12/4 Enclosure

Features

- Protective clear cover
- Overcurrent protection
- Finger-safe contacts
- Stainless steel snap latch

Ordering Information

Color Gray, Clear	UPC 783585093437	Catalog Number P205EDB9
-----------------------------	----------------------------	-----------------------------------

Listings

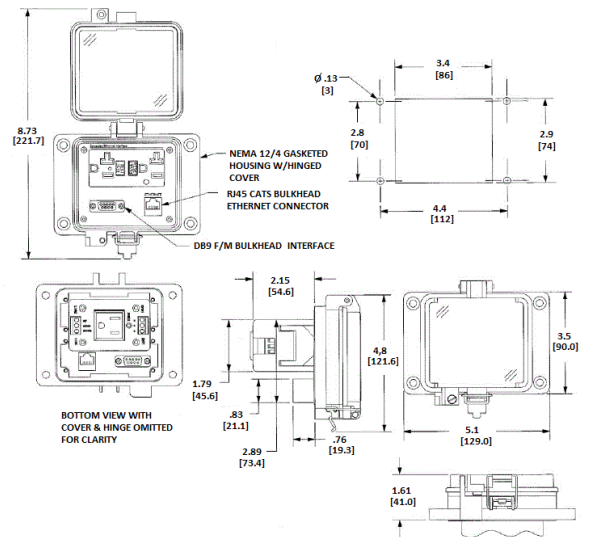
CSA Certified, UL Recognized

Specifications

Special Features 15 A 5.5 in 2.5 in 2.5	Standard Product Height Width Depth Enclosure
--	--

Performance

Electrical Circuit Breaker Data Jack GFCI In-Cabinet Receptacle	3A Cat. 5e Conforms to UL 943 2006 requirement GFCI protected
Environmental Enclosure	NEMA Type 4, 12 and NEMA Type 4X



Online Resources

- Customer Sales Drawings
- eCatalog
- Installation Instructions