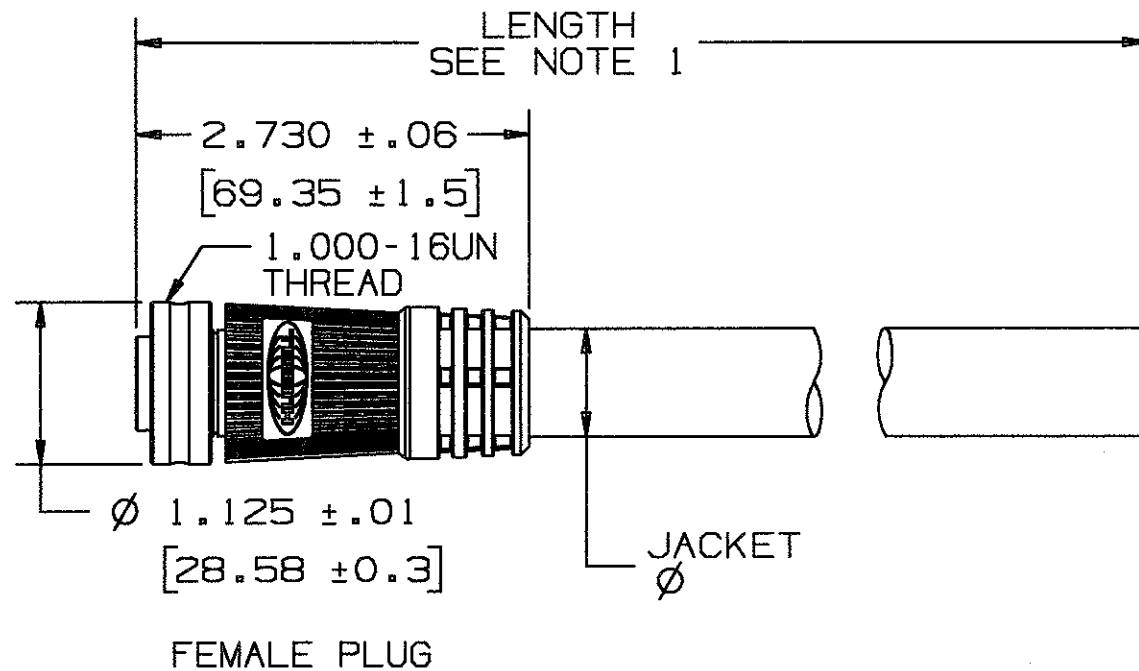
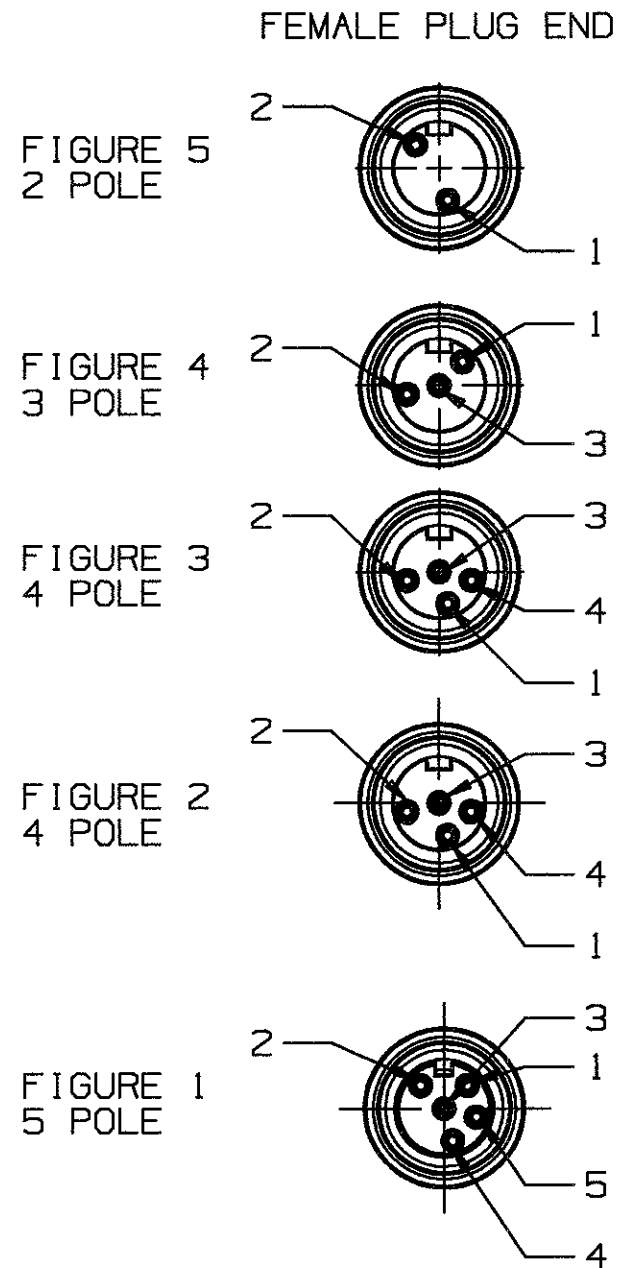


M-9907 2



WIRE POSITION AND WIRE COLOR			
PF2002PBXXX 2 POLE	PF2003PBXXX 3 POLE	PF2004PBXXX 4 POLE	PF2005PBXXX 5 POLE
1-BLUE 2-BLUE	1-BLACK 2-WHITE 3-GREEN/YEL	1-BLACK 2-WHITE 3-GREEN/YEL 4-BLACK	1-BLACK 2-WHITE 3-GREEN/YEL 4-BLACK 5-BLACK
	PF2003PAXXX 3 POLE	PF2004PAXXX 4 POLE	
	1-BLACK 2-BLACK 3-GREEN/YEL	1-BLACK 2-BLACK 3-GREEN/YEL 4-BLACK	

NOTES UNLESS OTHERWISE SPECIFIED:

1. THE "XXX" IN CATALOG NUMBER DENOTES LENGTH OF PLUG ASSEMBLY IN FEET. PF2306PB005 IS 5 FEET LONG. TOLERANCE ± 3.0" UP TO 5 FT., ± 8.0" FROM 5 FT TO 25 FT., ± 12" GREATER THAN 25 FT.
2. FIGURE SHOWN IS FEMALE CORDSET.
3. UL LISTED (PRODUCT CATEGORY CYJV) NOT FOR CURRENT INTERRUPT, RATING 20A/600V. CABLE - LISTED (QPOR) POWER & CONTROL TRAY CABLE 600V TYPE TC-ER.
4. THESE DEVICES SHALL CONFORM TO LINKOSITY SPECIFICATIONS -0015, -0020.
5. DIMENSIONS ARE IN INCHES [mm].
6. LINKOSITY™ IS A TRADEMARK OF LOCKHEED MARTIN.

CATALOG NUMBER SEE NOTE 1	SEE FIGURE NUMBER	CABLE JACKET DIA.
PF2005PBXXX	1	.710±.015
PF2004PBXXX	2	.645±.015
PF2004PAXXX	3	.645±.015
PF2003PBXXX	4	.595±.015
PF2002PBXXX	5	.575±.015
PF2003PAXXX	4	.595±.015

LIST OF PARTS		
DESCRIPTION	MATERIAL	FINISH
COUPLING NUT	BRASS	NICKEL PLATED
INSULATOR, SOCKET	NYLON	WHITE
O RING	RUBBER	BLACK
O RING	SILICONE	GREEN
SOCKET CONTACT	COPPER ALLOY	GOLD OVER Pd/Ni
OVERMOLD	POLYURETHANE	GRAY
CABLE 12 AWG	PVC	GRAY

SYM	REVISIONS	APP	DATE
2	ADDED CAT. #PF2003PAXXX TO TABLES; IN FIGURE 4 LABEL, "3 POLE" WAS "5 POLE" PER DCN #13370. JMN JPP	JPP	9/1/06
1	RELEASED PER DCN #12597. JMN JPP	JPP	9/28/05

THE DESIGN AND DIMENSIONS OF THE PRODUCT SHOWN ON THIS DRAWING ARE SUBJECT TO CHANGE WITHOUT NOTICE

TITLE
20A FEMALE ENDED CABLE
LINKOSITY™
#12 AWG TC-ER CABLE

TOLERANCES UNLESS OTHERWISE SPECIFIED		WIRING DEVICE-KELLEMS HUBBELL INCORPORATED BRIDGEPORT, CT	
FRACTIONS	± 1/64	DR. BY	JMN
DECIMALS	± .005	APP. BY	JPP
ANGLES	± 2°	TR. BY	
		SCALE	NONE
		CHK'D BY	JPP
		DATE	9/28/05

DIMENSION SHEET FOR CAT. NO. SEE TABLE

REPAIRABLE NON-REPAIRABLE

B

M-9907

2