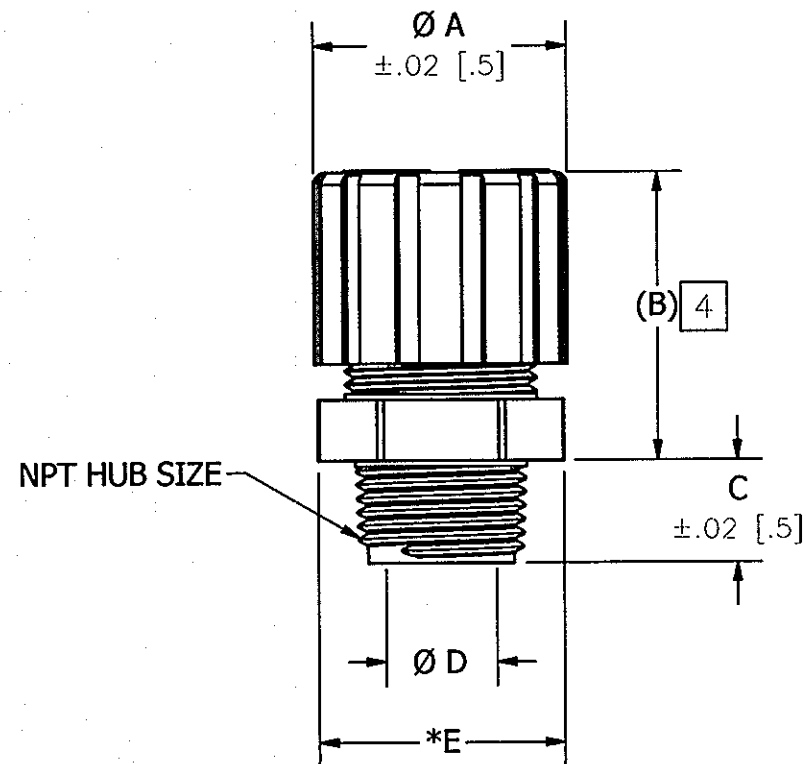


M-12930

1

CATALOG NUMBER	BODY COLOR	GOTCHA RING COLOR CODE	NPT HUB SIZE	CORD DIA. RANGE	ØA (OVERALL)	(B) ⁴	C	ØD (THROAT DIA.)	*E ACROSS CORNERS	*E ACROSS FLATS
SHC2021CR	BLACK	RED	1/2"	.19-.25 [4.7-6.3]	1.32 [33.5]	1.50 [38.1]	.53 [13.5]	.58 [14.7]	1.25 [31.7]	1.12 [28.4]
SHC2022CR	BLACK	WHITE	1/2"	.25-.38 [6.3-9.7]	1.32 [33.5]	1.50 [38.1]	.53 [13.5]	.58 [14.7]	1.25 [31.7]	1.12 [28.4]
SHC2023CR	BLACK	BLUE	1/2"	.38-.50 [9.7-12.7]	1.32 [33.5]	1.50 [38.1]	.53 [13.5]	.58 [14.7]	1.25 [31.7]	1.12 [28.4]
SHC2024CR	BLACK	BROWN	1/2"	.50-.63 [12.7-15.9]	1.32 [33.5]	1.50 [38.1]	.53 [13.5]	.58 [14.7]	1.25 [31.7]	1.12 [28.4]
SHC1019CR	GRAY	GREEN	1/2"	.06-.13 [1.6-3.2]	1.32 [33.5]	1.50 [38.1]	.55 [14.0]	.58 [14.7]	1.25 [31.7]	1.12 [28.4]
SHC1020CR	GRAY	ORANGE	1/2"	.13-.19 [3.2-4.7]	1.32 [33.5]	1.50 [38.1]	.55 [14.0]	.58 [14.7]	1.25 [31.7]	1.12 [28.4]
SHC1021CR	GRAY	RED	1/2"	.19-.25 [4.7-6.3]	1.32 [33.5]	1.50 [38.1]	.55 [14.0]	.58 [14.7]	1.25 [31.7]	1.12 [28.4]
SHC1022CR	GRAY	WHITE	1/2"	.25-.38 [6.3-9.7]	1.32 [33.5]	1.50 [38.1]	.55 [14.0]	.58 [14.7]	1.25 [31.7]	1.12 [28.4]
SHC1023CR	GRAY	BLUE	1/2"	.38-.50 [9.7-12.7]	1.32 [33.5]	1.50 [38.1]	.55 [14.0]	.58 [14.7]	1.25 [31.7]	1.12 [28.4]
SHC1024CR	GRAY	BROWN	1/2"	.50-.63 [12.7-15.9]	1.32 [33.5]	1.50 [38.1]	.55 [14.0]	.58 [14.7]	1.25 [31.7]	1.12 [28.4]

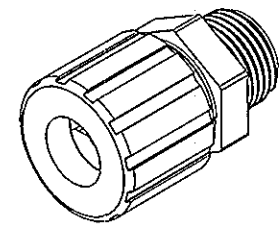
**NOTES:**

1. DIMENSIONS ARE IN INCHES [MM].
2. LOCKNUT PURCHASED SEPARATELY.
3. BUSHING COATED WITH AMBER PETROLEUM JELLY.

⁴ REFERENCE ONLY, DIMENSION MAY VARY.

LIST OF PARTS

DESCRIPTION	MATERIAL	FINISH
CORD CONN. BODY, STR. MALE	NYLON	SEE TABLE
NUT	NYLON	SEE TABLE
BUSHING	BLACK NEOPRENE	SEE NOTE 3
GOTCHA RING	NYLON	SEE TABLE



CATALOG NO. SHC2021CR
(NOT SHOWN TO SCALE)

1	INITIAL RELEASE PER DCN 21189	DDL PJB	05/06/15
REV	DESCRIPTION	APP	DATE

THE DESIGN AND DIMENSIONS OF THE PRODUCT SHOWN ON THIS DRAWING ARE SUBJECT TO CHANGE WITHOUT NOTICE

TITLE
STRAIGHT NYLON CORD CONNECTOR FORM 2

TOLERANCES UNLESS OTHERWISE SPECIFIED .XX = ± .01 .XXX = ± .005 ANGLES = ± 2'	WIRING DEVICE-KELLEMS HUBBELL INCORPORATED SHELTON, CT		
	DR. BY SR	APP. BY	
	TR. BY	SCALE	1:1
	CHK. BY DDL	DATE	05/06/15

DIMENSION SHEET FOR CAT. NO. M-12930

SEE TABLE

REPAIRABLE NON-REPAIRABLE B

1