

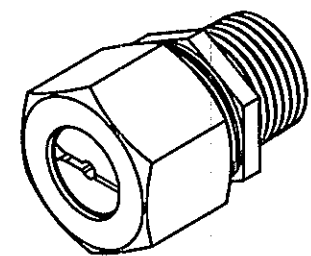
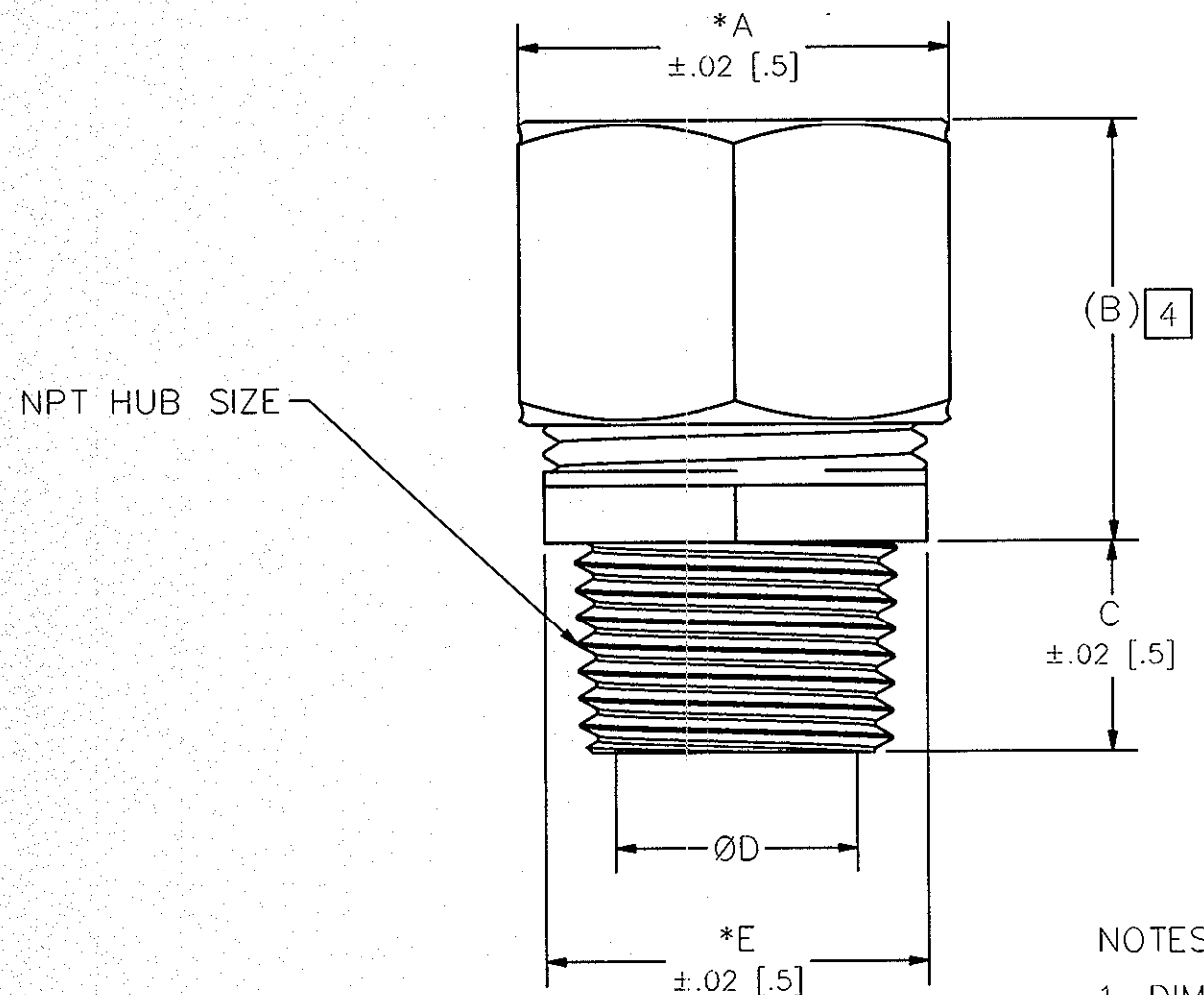
M-12922

1

CATALOG NUMBER	BODY COLOR	GOTCHA RING COLOR CODE	NPT HUB SIZE	CORD DIA. RANGE	*A ACROSS CORNERS	*A ACROSS FLATS	(B) ⁴	C	ØD (THROAT DIA.)	*E ACROSS CORNERS	*E ACROSS FLATS
SHC1020SS	STAINLESS STEEL	ORANGE	1/2"	.13-.19 [3.2-4.7]	1.30 [33.0]	1.13 [28.7]	1.10 [27.9]	.55 [14.0]	.63 [16.0]	1.16 [29.5]	1.00 [25.4]
SHC1021SS	STAINLESS STEEL	RED	1/2"	.19-.25 [4.7-6.3]	1.30 [33.0]	1.13 [28.7]	1.10 [27.9]	.55 [14.0]	.63 [16.0]	1.16 [29.5]	1.00 [25.4]
SHC1022SS	STAINLESS STEEL	WHITE	1/2"	.25-.38 [6.3-9.7]	1.30 [33.0]	1.13 [28.7]	1.10 [27.9]	.55 [14.0]	.63 [16.0]	1.16 [29.5]	1.00 [25.4]
SHC1023SS	STAINLESS STEEL	BLUE	1/2"	.38-.50 [9.7-12.7]	1.30 [33.0]	1.13 [28.7]	1.10 [27.9]	.55 [14.0]	.63 [16.0]	1.16 [29.5]	1.00 [25.4]
SHC1024SS	STAINLESS STEEL	BROWN	1/2"	.50-.63 [12.7-15.9]	1.30 [33.0]	1.13 [28.7]	1.10 [27.9]	.55 [14.0]	.63 [16.0]	1.16 [29.5]	1.00 [25.4]

LIST OF PARTS		
DESCRIPTION	MATERIAL	FINISH
CORD CONN. BODY, MALE	SST	
NUT	SST	
GOTCHA RING	NYLON	SEE TABLE
BUSHING	BLACK NEOPRENE	SEE NOTE 3

DIMENSION SHEET FOR CAT. NO. SEE TABLE



CATALOG NO. SHC1020SS
(NOT SHOWN TO SCALE)

REPAIRABLE NON-REPAIRABLE

1	INITIAL RELEASE PER DCN 21189	DDL	05/06/15
REV	DESCRIPTION	APP	DATE

THE DESIGN AND DIMENSIONS OF THE PRODUCT SHOWN ON THIS DRAWING ARE SUBJECT TO CHANGE WITHOUT NOTICE

TITLE
STRAIGHT STAINLESS STEEL CORD CONNECTOR FORM 2

TOLERANCES UNLESS OTHERWISE SPECIFIED .XX = ± .01 .XXX = ± .005 ANGLES = ± 2'	WIRING DEVICE-KELLEMS HUBBELL INCORPORATED SHELTON, CT	
	DR. BY TS	APP. BY
	TR. BY	SCALE 2:1
	CHK. BY DDL	DATE 05/06/15

- NOTES:
- DIMENSIONS ARE IN INCHES [MM].
 - LOCKNUT PURCHASED SEPARATELY.
 - BUSHING COATED WITH AMBER PETROLEUM JELLY.
 - ⁴ REFERENCE ONLY, DIMENSION MAY VARY.

B

M-12922

1