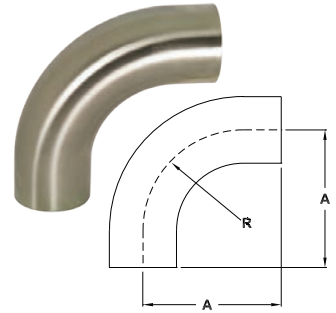


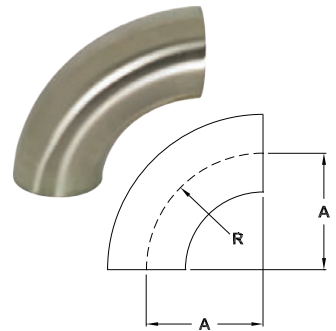
## Weld Elbows

Polished 90° Weld Elbows with Tangents - B2S 

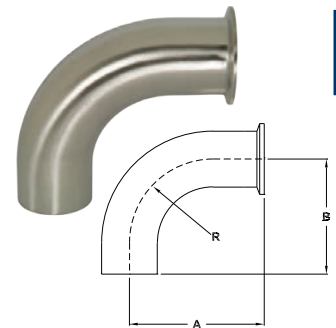
Tube OD	Dimensions		Wall Thickness	polished ID/OD 304 Stainless Steel		polished ID/OD 316L Stainless Steel	
	A	R		Part #	Price/E	Part #	Price/E
1/2"	3.000"	1.125"	.065"	---	---	<b>B2S-R50P</b>	<b>\$74.45</b>
3/4"	3.000"	1.125"	.065"	---	---	<b>B2S-R75P</b>	<b>74.45</b>
1"	2.062"	1.500"	.065"	<b>B2S-G100P</b>	<b>\$31.10</b>	<b>B2S-R100P</b>	<b>34.80</b>
1 1/2"	2.937"	2.250"	.065"	<b>B2S-G150P</b>	<b>33.30</b>	<b>B2S-R150P</b>	<b>38.85</b>
2"	4.062"	3.000"	.065"	<b>B2S-G200P</b>	<b>36.20</b>	<b>B2S-R200P</b>	<b>53.65</b>
2 1/2"	5.187"	3.750"	.065"	<b>B2S-G250P</b>	<b>51.50</b>	<b>B2S-R250P</b>	<b>80.75</b>
3"	6.312"	4.500"	.065"	<b>B2S-G300P</b>	<b>74.95</b>	<b>B2S-R300P</b>	<b>111.30</b>
4"	8.312"	6.000"	.083"	<b>B2S-G400P</b>	<b>134.05</b>	<b>B2S-R400P</b>	<b>204.35</b>

Polished 90° Weld Elbows - B2WCL 

Tube OD	Dimensions		Wall Thickness	polished ID/OD 304 Stainless Steel		polished ID/OD 316L Stainless Steel	
	A	R		Part #	Price/E	Part #	Price/E
1/2"	1.125"	1.125"	.065"	---	---	<b>B2WCL-R50P</b>	<b>\$32.25</b>
3/4"	1.125"	1.125"	.065"	---	---	<b>B2WCL-R75P</b>	<b>32.25</b>
1"	1.500"	1.500"	.065"	<b>B2WCL-G100P</b>	<b>\$16.75</b>	<b>B2WCL-R100P</b>	<b>20.20</b>
1 1/2"	2.250"	2.250"	.065"	<b>B2WCL-G150P</b>	<b>21.40</b>	<b>B2WCL-R150P</b>	<b>27.00</b>
2"	3.000"	3.000"	.065"	<b>B2WCL-G200P</b>	<b>29.25</b>	<b>B2WCL-R200P</b>	<b>37.15</b>
2 1/2"	3.750"	3.750"	.065"	<b>B2WCL-G250P</b>	<b>47.00</b>	<b>B2WCL-R250P</b>	<b>61.50</b>
3"	4.500"	4.500"	.065"	<b>B2WCL-G300P</b>	<b>66.85</b>	<b>B2WCL-R300P</b>	<b>85.35</b>
4"	6.000"	6.000"	.083"	<b>B2WCL-G400P</b>	<b>127.90</b>	<b>B2WCL-R400P</b>	<b>155.50</b>
6"	9.000"	9.000"	.109"	<b>B2WCL-G600P</b>	<b>471.35</b>	<b>B2WCL-R600P</b>	<b>510.25</b>
8"	12.000"	12.000"	.120"	<b>B2WCL-G800P</b>	<b>1336.00</b>	<b>B2WCL-R800P</b>	<b>1513.65</b>

Polished 90° Clamp x Weld Elbows - B2CM 

Tube OD	Dimensions			Wall Thickness	polished ID/OD 304 Stainless Steel		polished ID/OD 316L Stainless Steel	
	A	B	R		Part #	Price/E	Part #	Price/E
1"	2.562"	2.062"	1.500"	.065"	<b>B2CM-G100</b>	<b>\$77.45</b>	<b>B2CM-R100</b>	<b>\$94.20</b>
1 1/2"	3.438"	2.937"	2.250"	.065"	<b>B2CM-G150</b>	<b>77.45</b>	<b>B2CM-R150</b>	<b>94.20</b>
2"	4.562"	4.062"	3.000"	.065"	<b>B2CM-G200</b>	<b>86.90</b>	<b>B2CM-R200</b>	<b>104.45</b>
2 1/2"	5.688"	5.187"	3.750"	.065"	<b>B2CM-G250</b>	<b>113.70</b>	<b>B2CM-R250</b>	<b>158.20</b>
3"	6.812"	6.312"	4.500"	.065"	<b>B2CM-G300</b>	<b>151.15</b>	<b>B2CM-R300</b>	<b>220.65</b>
4"	8.937"	8.312"	6.000"	.083"	<b>B2CM-G400</b>	<b>259.10</b>	<b>B2CM-R400</b>	<b>327.60</b>

Polished 90° Plain Bevel Seat with Hex Nut x Weld Elbows - B2FP 

Tube OD	Dimensions			Wall Thickness	polished ID/OD 304 Stainless Steel	
	A	B	R		Part #	Price/E
1 1/2"	3.656"	2.937"	2.250"	.065"	<b>B2FP-G150</b>	<b>\$135.75</b>
2"	4.812"	4.062"	3.000"	.065"	<b>B2FP-G200</b>	<b>152.80</b>
2 1/2"	6.062"	5.187"	3.750"	.065"	<b>B2FP-G250</b>	<b>240.25</b>
3"	7.218"	6.312"	4.500"	.065"	<b>B2FP-G300</b>	<b>262.75</b>

