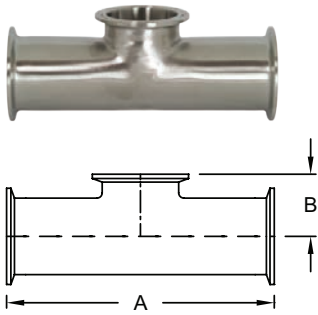


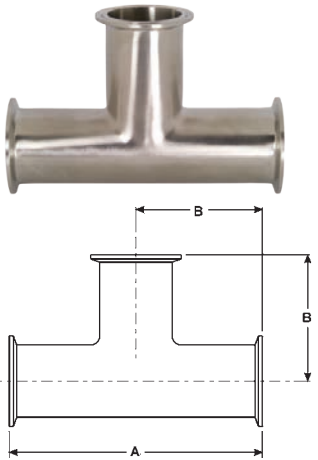
Clamp Tees

3 Short Outlet Clamp Tees - B7MPS



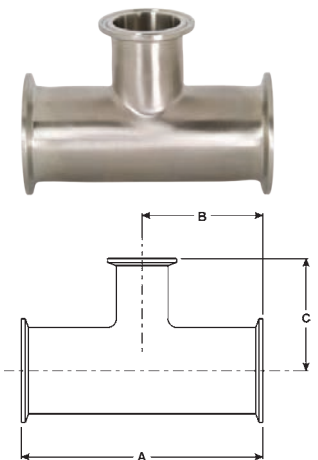
Tube OD	Dimensions		316L Stainless Steel	
	A	B	Part #	Price/E
1½"	5.500"	1.375"	B7MPS-R150	\$281.40
2"	7.000"	1.625"	B7MPS-R200	325.50
2½"	7.000"	1.875"	B7MPS-R250	348.95

3 Clamp Tees - B7MP



Tube OD	Dimensions		304 Stainless Steel		316L Stainless Steel	
	A	B	Part #	Price/E	Part #	Price/E
½"	4.750"	2.375"	---	---	B7MP-R50	\$168.70
¾"	5.000"	2.500"	---	---	B7MP-R75	149.25
1"	4.750"	2.375"	B7MP-G100	\$73.95	B7MP-R100	119.55
1½"	5.500"	2.750"	B7MP-G150	84.75	B7MP-R150	117.40
2"	7.000"	3.500"	B7MP-G200	105.00	B7MP-R200	136.30
2½"	7.000"	3.500"	B7MP-G250	134.10	B7MP-R250	182.80
3"	7.500"	3.750"	B7MP-G300	181.90	B7MP-R300	255.00
4"	9.000"	4.500"	B7MP-G400	249.55	B7MP-R400	343.25
6"	13.000"	6.500"	B7MP-G600	1205.50	B7MP-R600	1448.05
8"	15.750"	7.875"	B7MP-G800	2181.95	B7MP-R800	3551.45

3 Clamp Reducing Tees - B7RMP



Tube OD	Dimensions			304 Stainless Steel		316L Stainless Steel	
	A	B	C	Part #	Price/E	Part #	Price/E
1" x ¾"	5.250"	2.625"	2.625"	---	---	B7RMP-R10075	\$227.75
1½" x ½"	5.750"	2.875"	2.875"	---	---	B7RMP-R15050	232.10
1½" x 1"	4.312"	2.156"	1.875"	---	---	B7RMP-R150100	179.15
2" x ½"	6.750"	3.375"	3.125"	---	---	B7RMP-R20050	702.90
2" x ¾"	6.750"	3.375"	3.125"	---	---	B7RMP-R20075	739.15
2" x 1"	5.125"	2.562"	2.125"	B7RMP-G200100	\$210.45	B7RMP-R200100	216.50
2" x 1½"	5.125"	2.562"	2.406"	B7RMP-G200150	171.10	B7RMP-R200150	235.05
2½" x 1½"	5.688"	2.844"	2.812"	B7RMP-G250150	226.30	B7RMP-R250150	316.15
2½" x 2"	5.688"	2.844"	2.812"	B7RMP-G250200	202.70	B7RMP-R250200	242.95
3" x 1½"	6.188"	3.093"	2.906"	B7RMP-G300150	277.50	B7RMP-R300150	427.80
3" x 2"	6.188"	3.093"	3.063"	B7RMP-G300200	234.15	B7RMP-R300200	350.35
4" x 1½"	8.125"	4.063"	3.406"	B7RMP-G400150	373.85	---	---
4" x 2"	8.125"	4.063"	3.563"	B7RMP-G400200	366.55	---	---

N