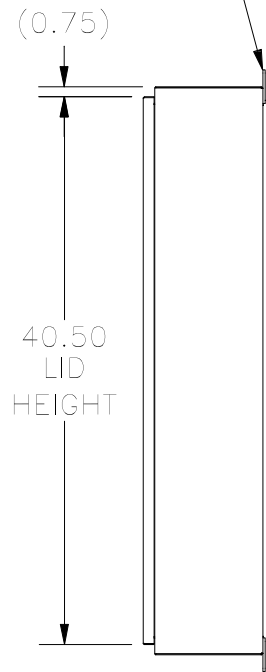
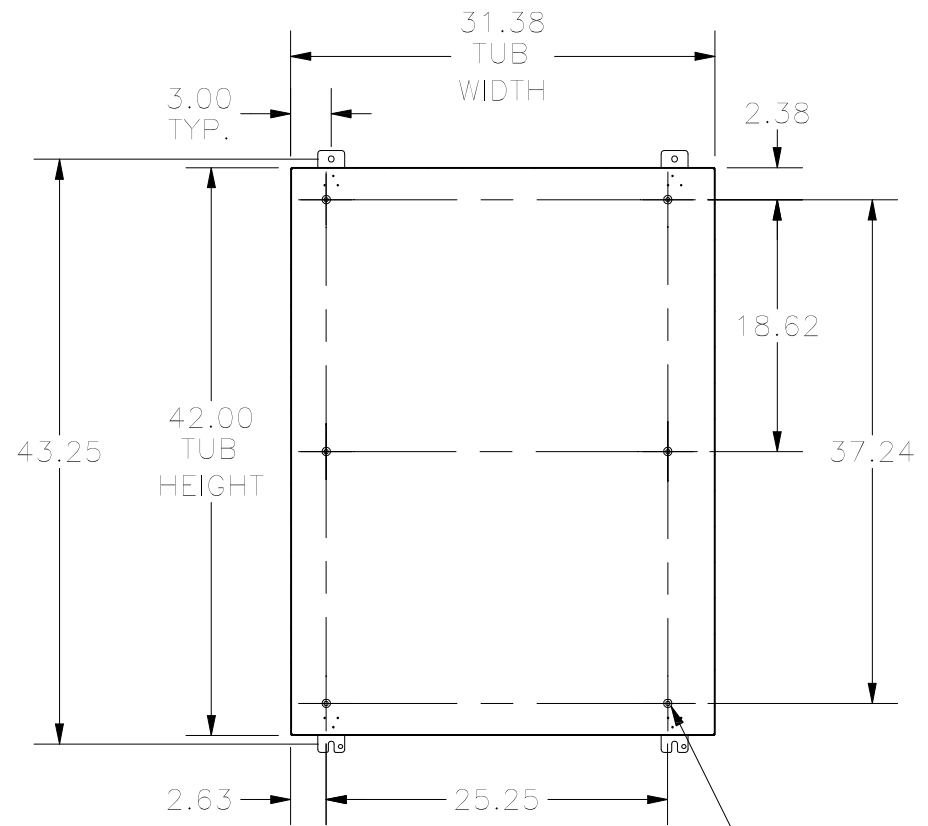


TOP VIEW

7 GA. WELD ON MOUNTING FOOT

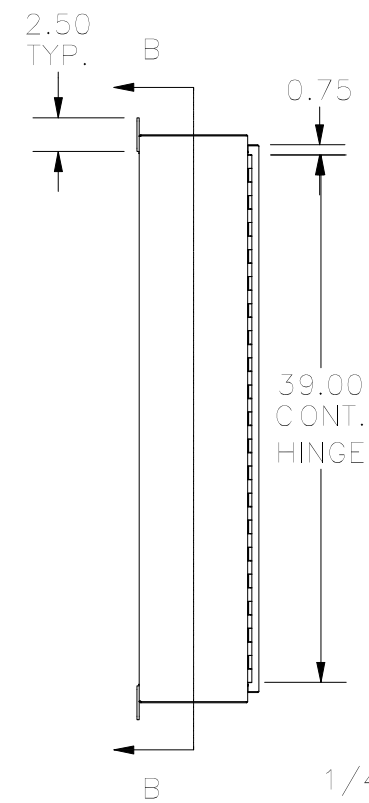
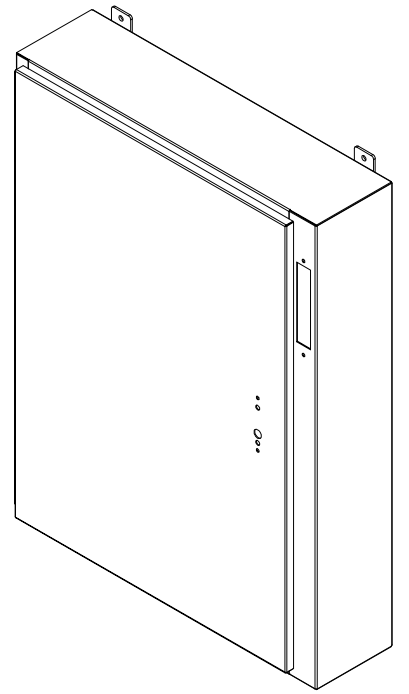


RIGHT SIDE VIEW

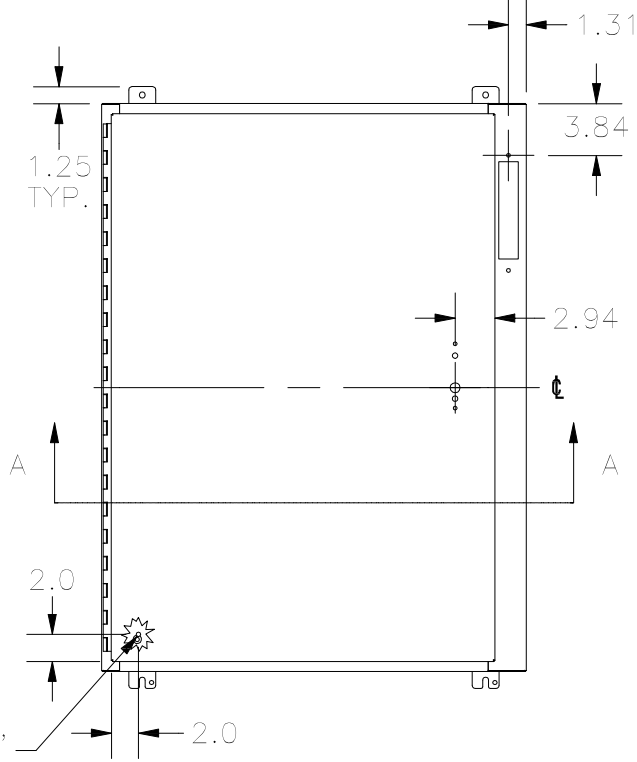


**SECTION B-B
(INSIDE BACK OF ENCLOSURE)**

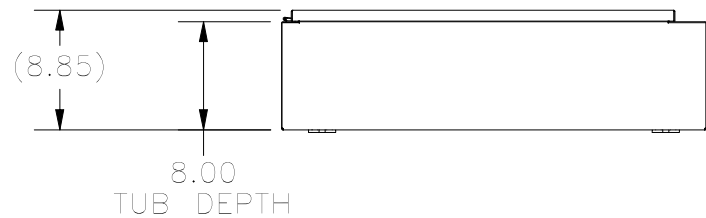
3/8" - 16 X 5/8"
COLLAR STUD
(6 PL.)



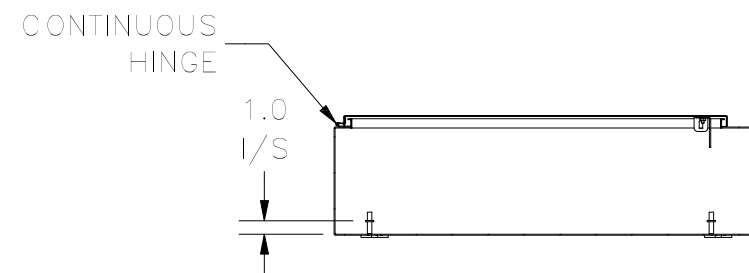
LEFT SIDE VIEW



FRONT VIEW



BOTTOM VIEW



**SECTION A-A
(INSIDE TOP OF ENCLOSURE)**

PART#: ABN12423108
(DATA SUBJECT TO CHANGE WITHOUT NOTICE)

THIS DRAWING IS PROPERTY OF HUBBELL INC. WIEGMANN
ALL INFORMATION IS PROPRIETARY AND NOT TO BE DUPLICATED