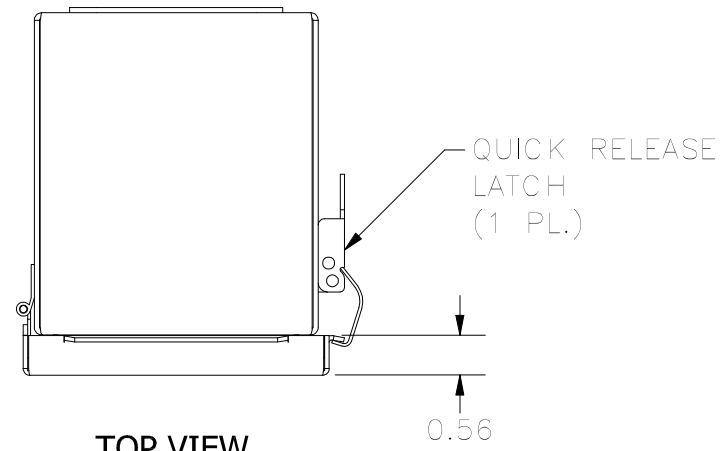
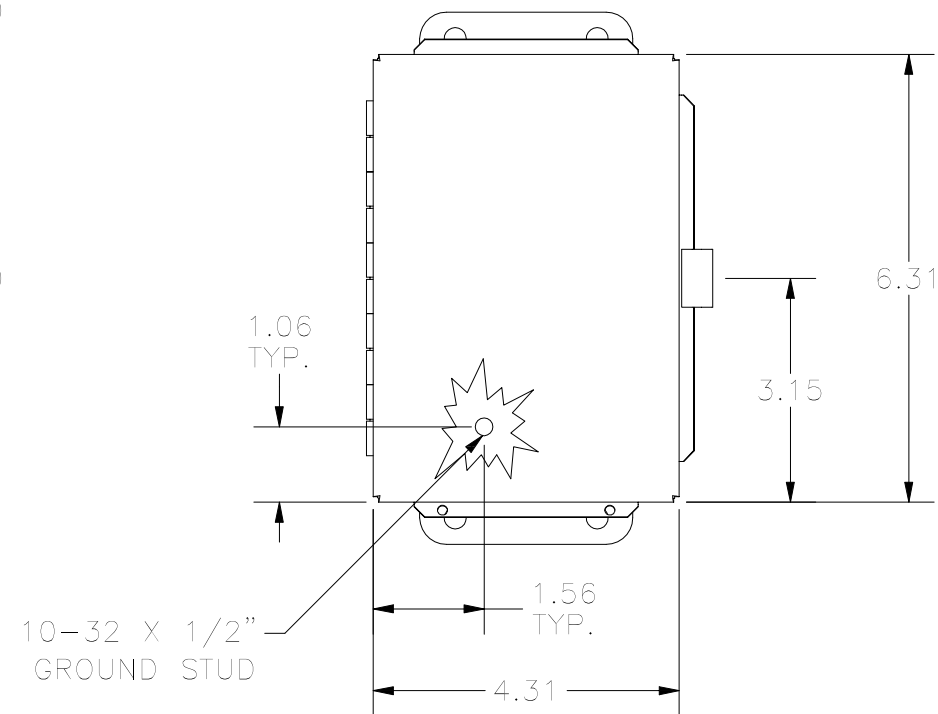


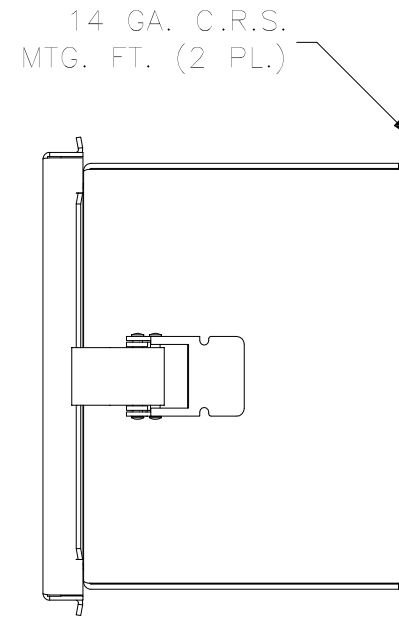
**LEFT SIDE VIEW**



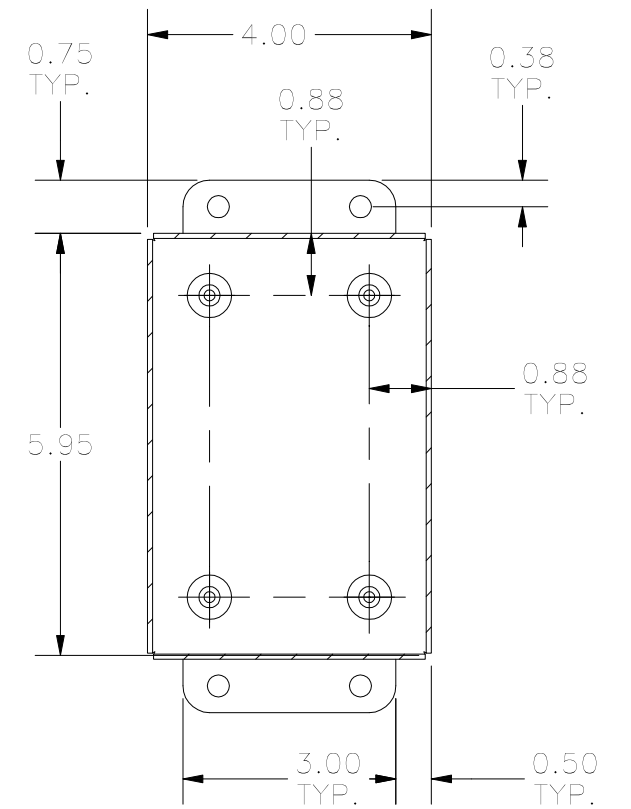
**TOP VIEW**



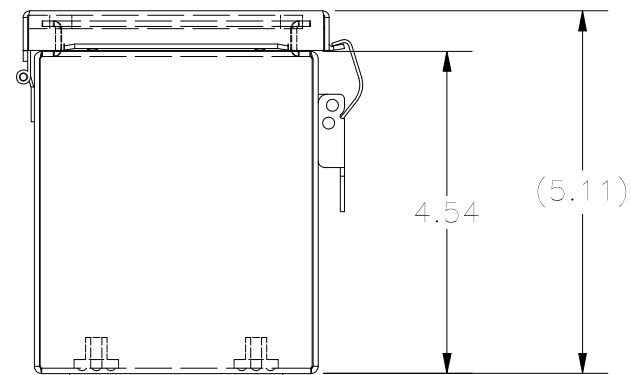
**FRONT VIEW**



**RIGHT SIDE VIEW**



**SECTION K-K  
(INSIDE BACK OF ENCLOSURE)**



**BOTTOM VIEW**

PART#: B0604045CHFTC  
(DATA SUBJECT TO CHANGE WITHOUT NOTICE)

THIS DRAWING IS PROPERTY OF HUBBELL INC. WIEGMANN  
ALL INFORMATION IS PROPRIETARY AND NOT TO BE DUPLICATED