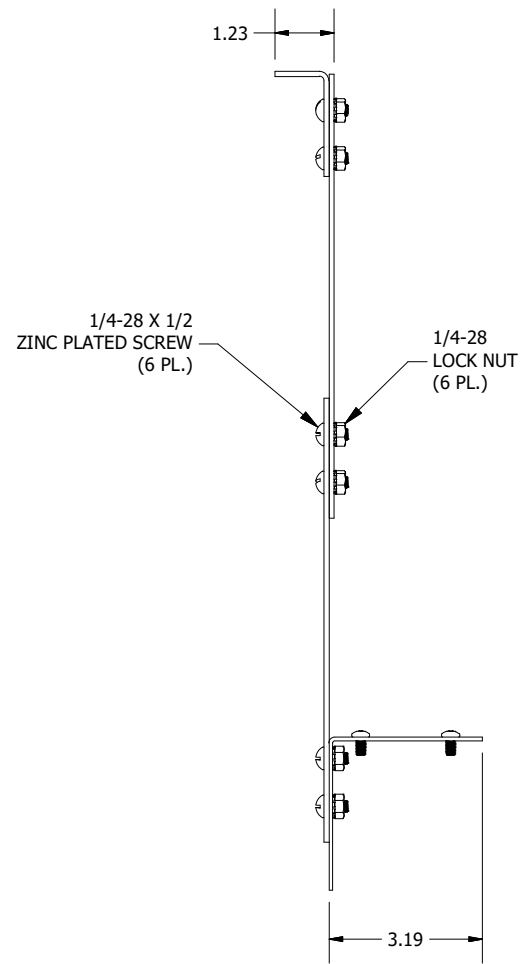
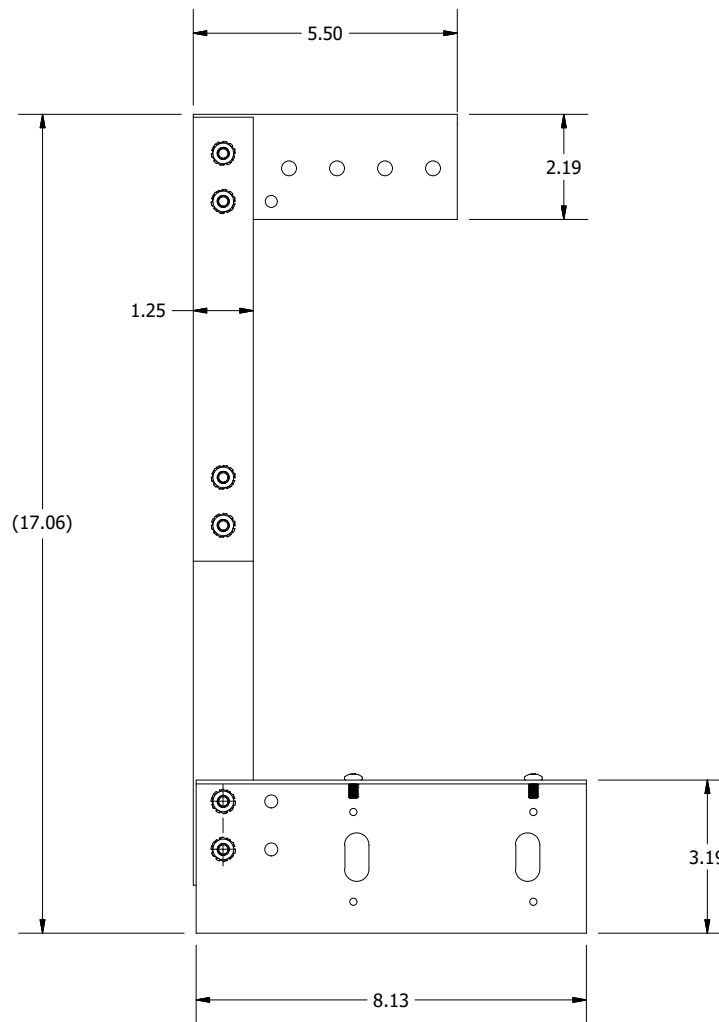


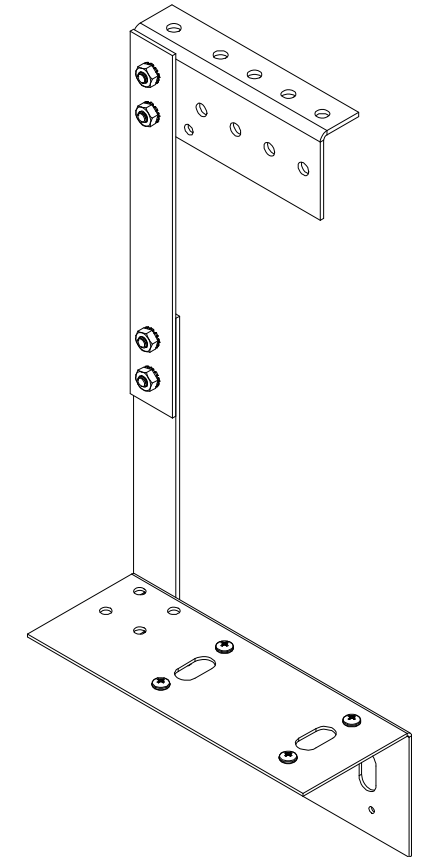
**TOP VIEW**



**LEFT SIDE VIEW**



**ASSM. FRONT VIEW**



PARTS LIST			
ITEM #	PART NUMBER	DESCRIPTION	QTY
1	BH0606BP	BOTTOM MOUNTING PLATE	1
2	BH0606BST	STRAP	2
3	BH0606TP	TOP PLATE	1
4	37242	1/4-28 X 1/2" ZN PLTD RHD HD, SLTD MS	6
5	34937	1/4-28 ZN PLTD KEP NUT	6
6	372110	#10-32 X 3/8" ZN PLTD PAN HD, PHIL MS	4

**PART #:BH0606**

**(DATA SUBJECT TO CHANGE WITHOUT NOTICE)**

**THIS DRAWING IS THE PROPERTY OF HUBBELL INC. WIEGMANN  
ALL INFORMATION IS PROPRIETARY AND NOT TO BE DUPLICATED**