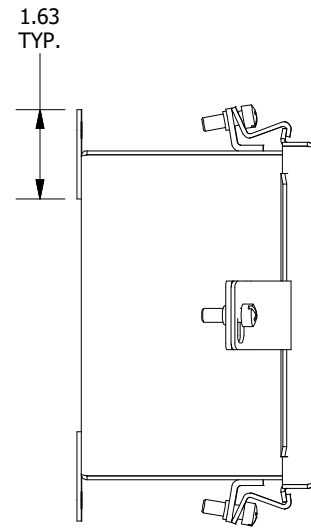
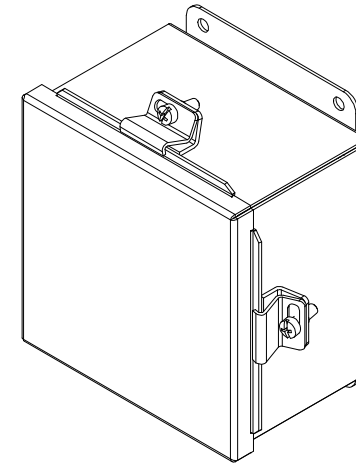
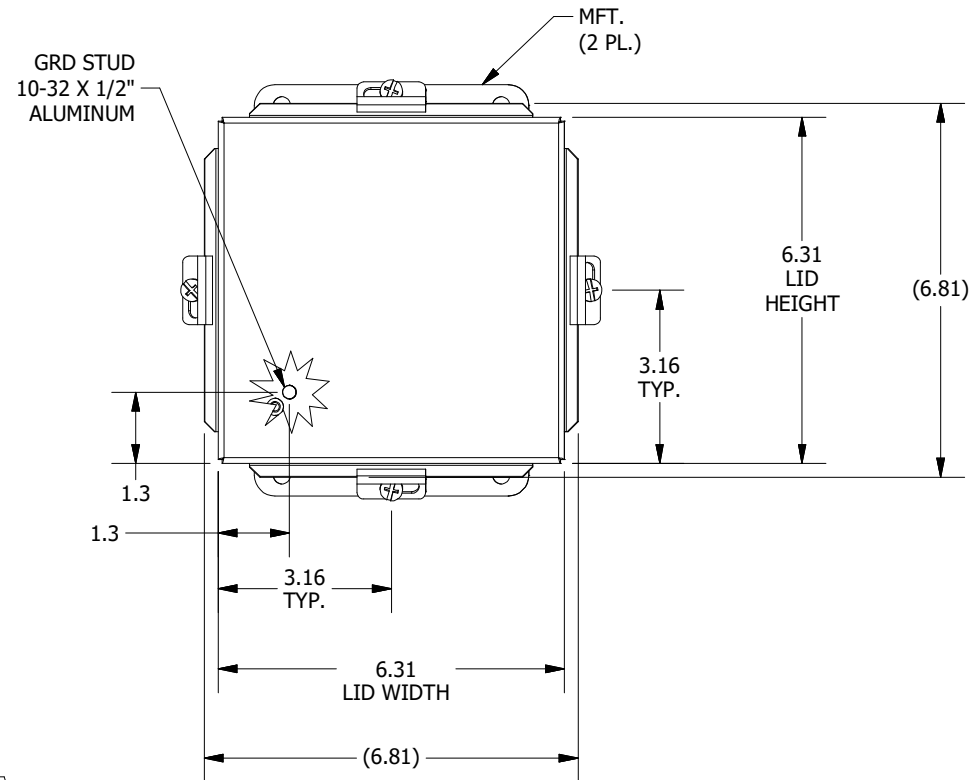


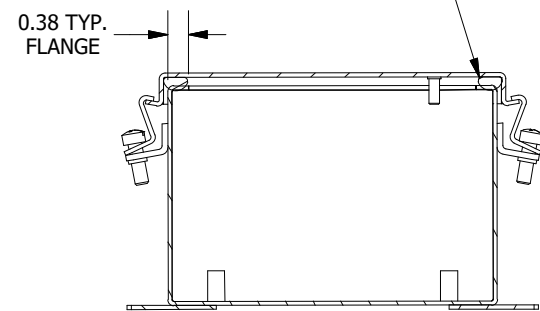
TOP VIEW



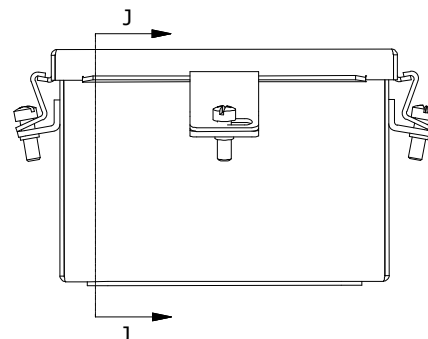
LEFT SIDE VIEW



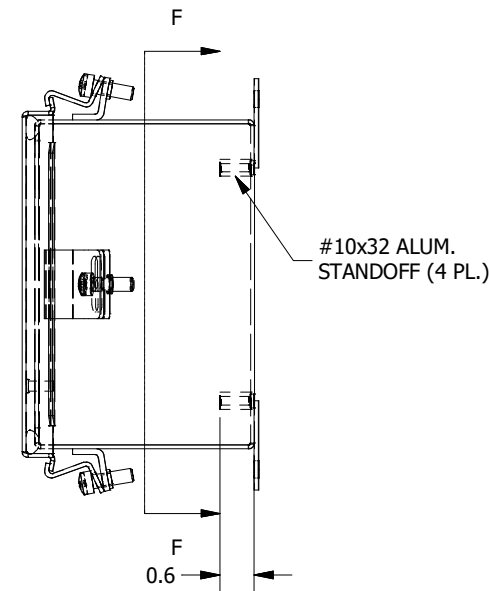
FRONT VIEW



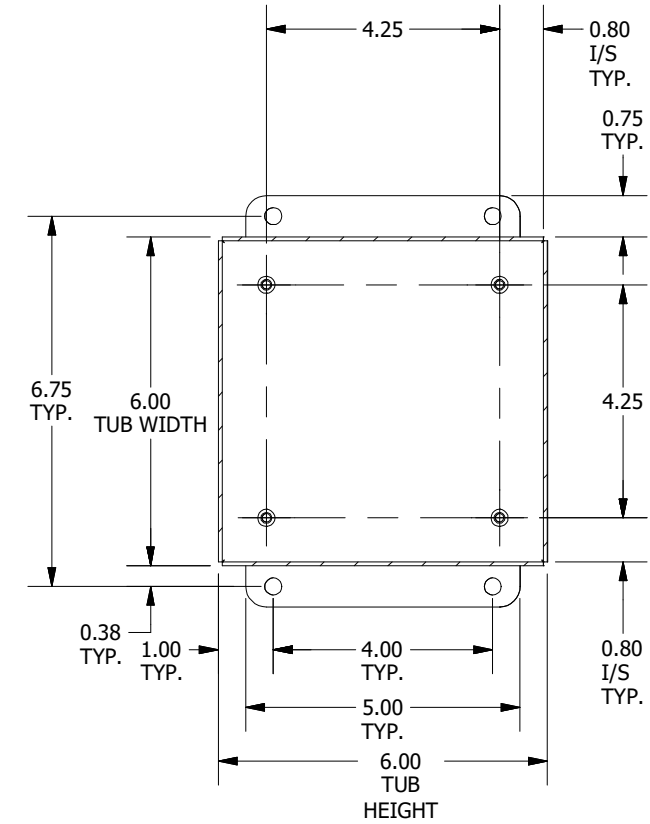
SECTION J-J



BOTTOM VIEW



RIGHT SIDE VIEW



SECTION F-F (INSIDE BACK VIEW)

PART#: BN4060604AL
 (DATA SUBJECT TO CHANGE WITHOUT NOTICE)

THIS DRAWING IS PROPERTY OF HUBBELL INC. WIEGMANN
 ALL INFORMATION IS PROPRIETARY AND NOT TO BE DUPLICATED