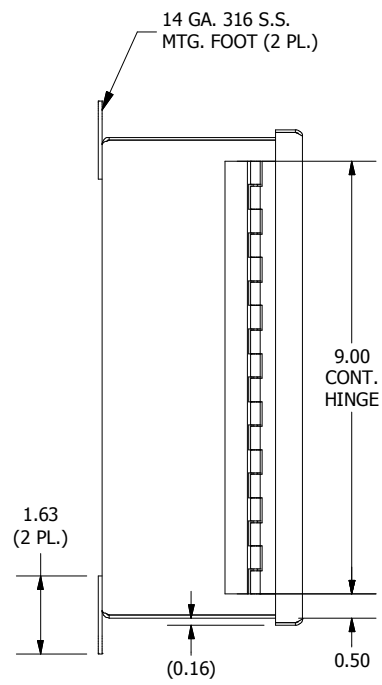
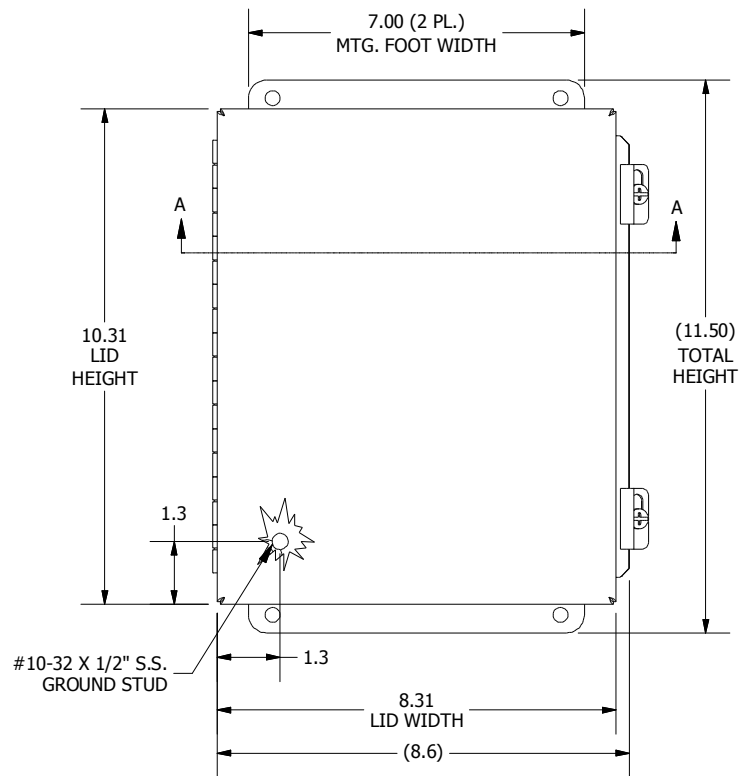


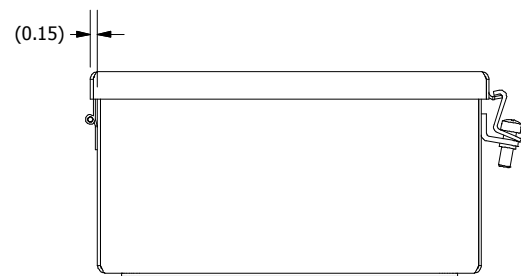
**TOP VIEW**



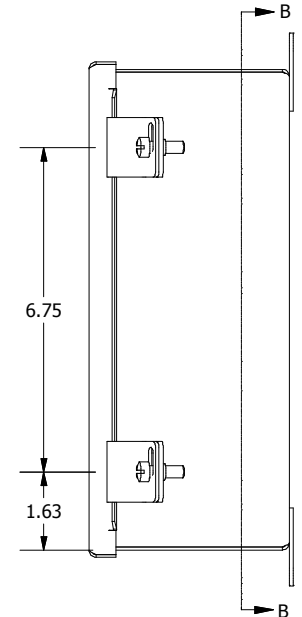
**LEFT SIDE VIEW**



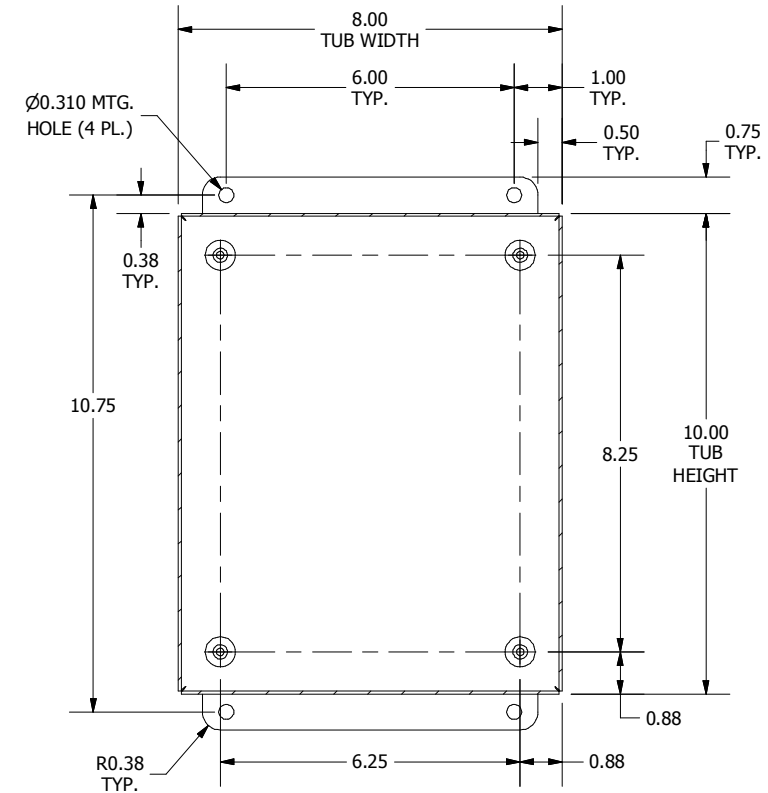
**FRONT VIEW**



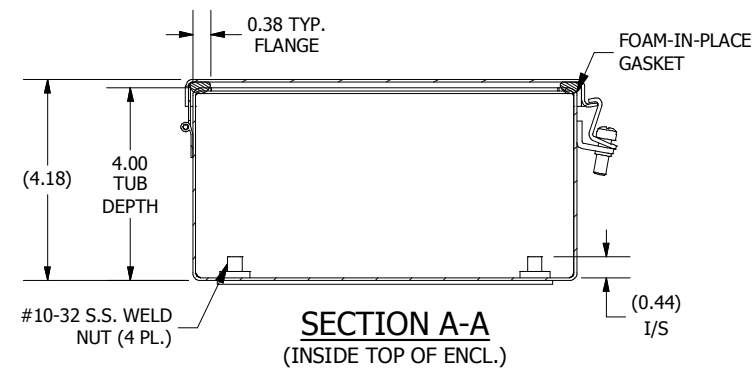
**BOTTOM VIEW**



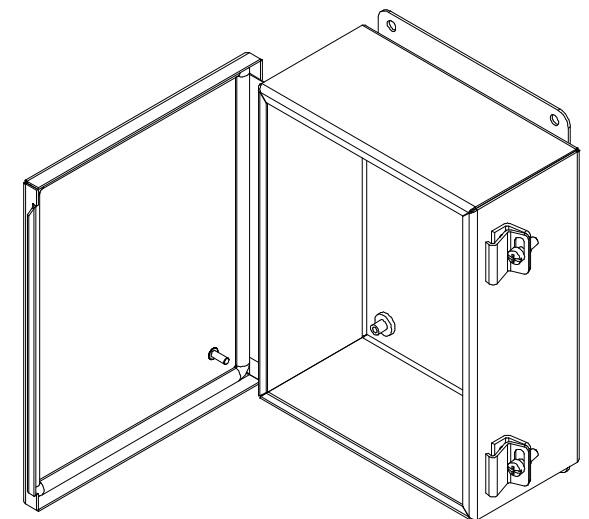
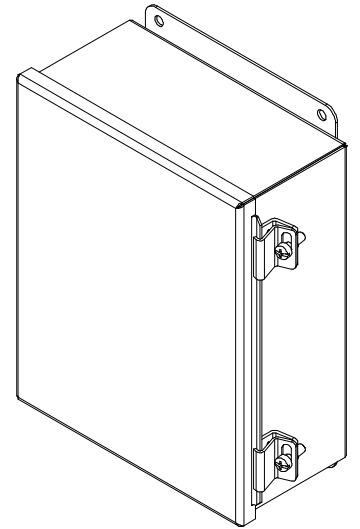
**RIGHT SIDE VIEW**



**SECTION B-B  
(INSIDE BACK OF ENCL.)**



**SECTION A-A  
(INSIDE TOP OF ENCL.)**



PART#: BN4100804CHSSA  
(DATA SUBJECT TO CHANGE WITHOUT NOTICE)

THIS DRAWING IS PROPERTY OF HUBBELL INC. WIEGMANN  
ALL INFORMATION IS PROPRIETARY AND NOT TO BE DUPLICATED