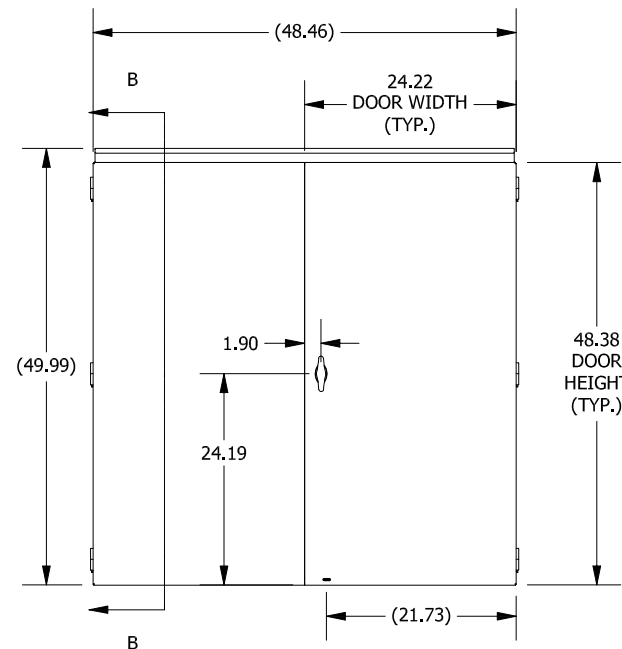
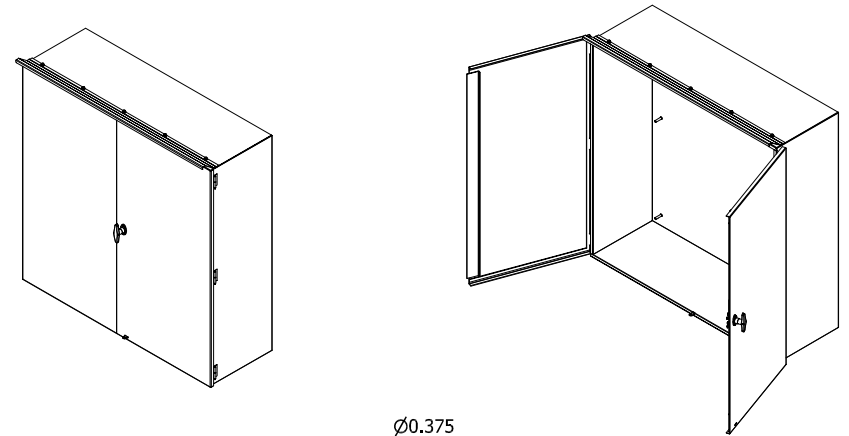
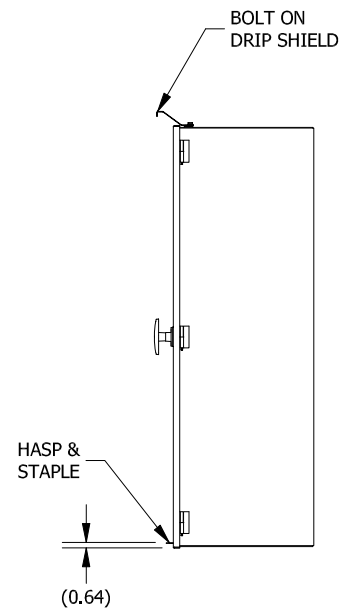


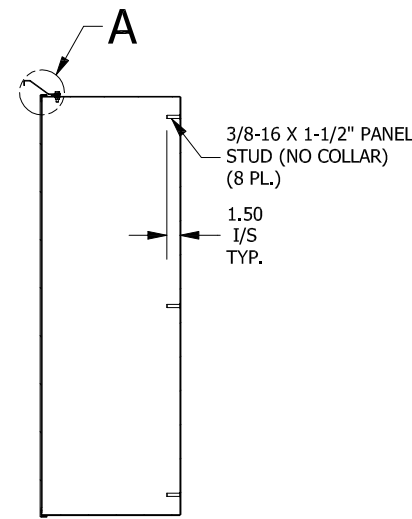
**TOP VIEW**



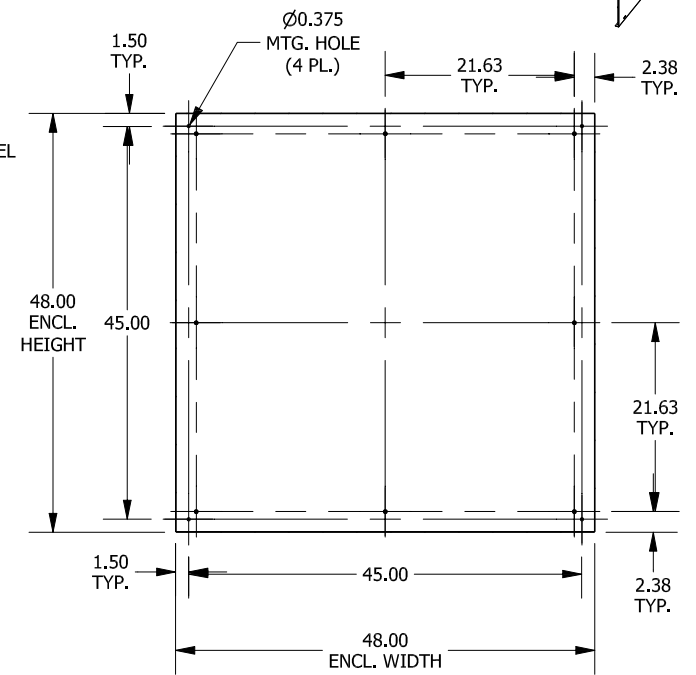
**FRONT VIEW**



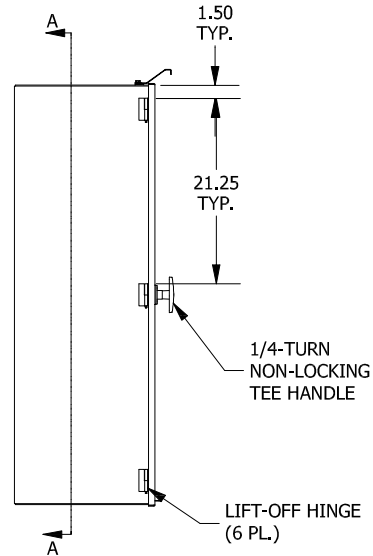
**RIGHT SIDE VIEW**



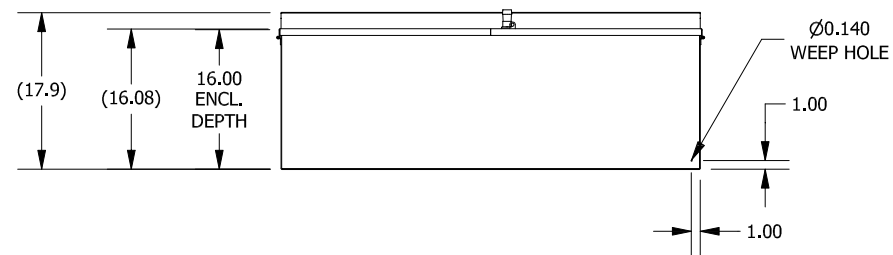
**SECTION B-B  
(INSIDE LEFT OF ENCL.)**



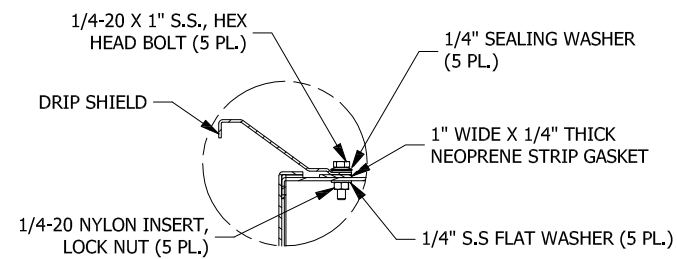
**SECTION A-A  
(INSIDE BACK OF ENCL.)**



**LEFT SIDE VIEW**



**BOTTOM VIEW**



**DETAIL A  
(DRIP SHIELD INSTALL DETAIL)**

PART#: CTDD484816  
(DATA SUBJECT TO CHANGE  
WITHOUT NOTICE)

THIS DRAWING IS PROPERTY OF HUBBELL INC.  
WIEGMANN  
ALL INFORMATION IS PROPRIETARY AND NOT TO BE  
DUPLICATED