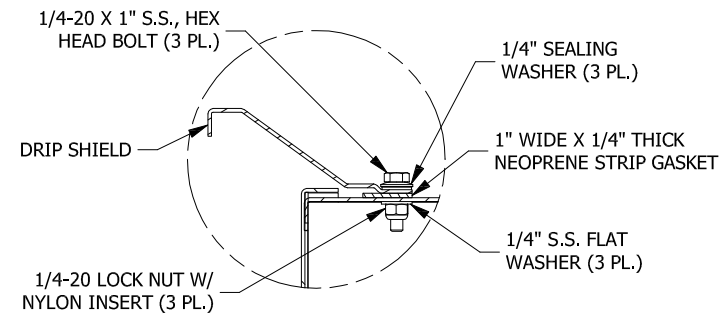
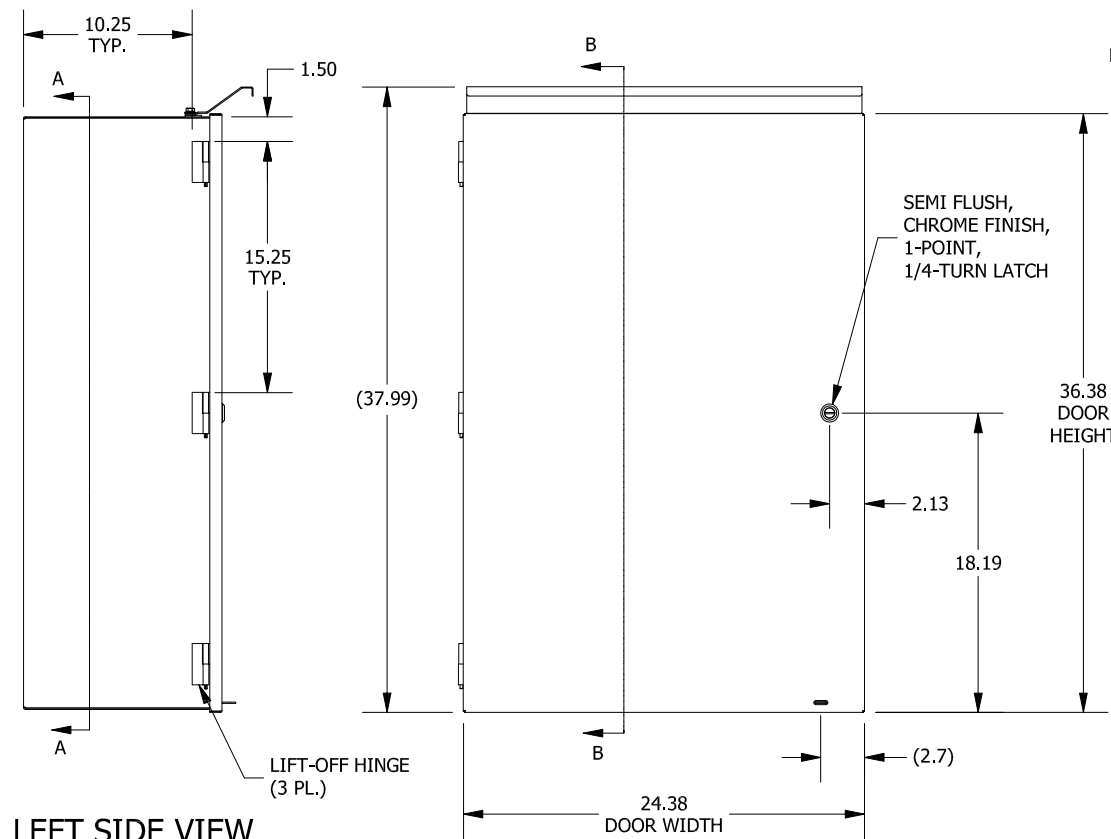


**TOP VIEW**

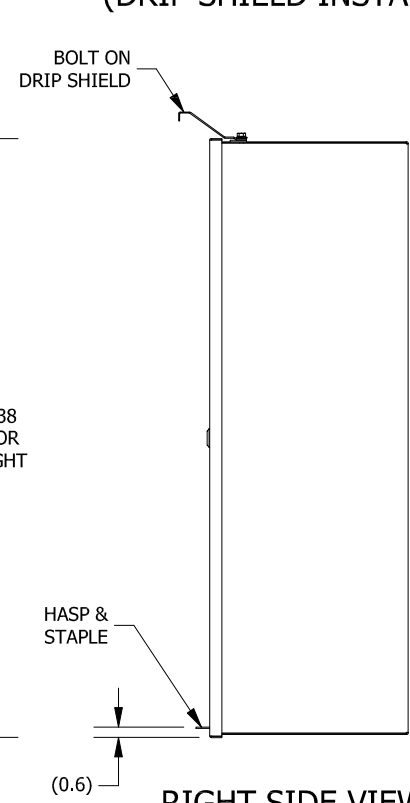


**DETAIL A  
(DRIP SHIELD INSTALL DETAIL)**

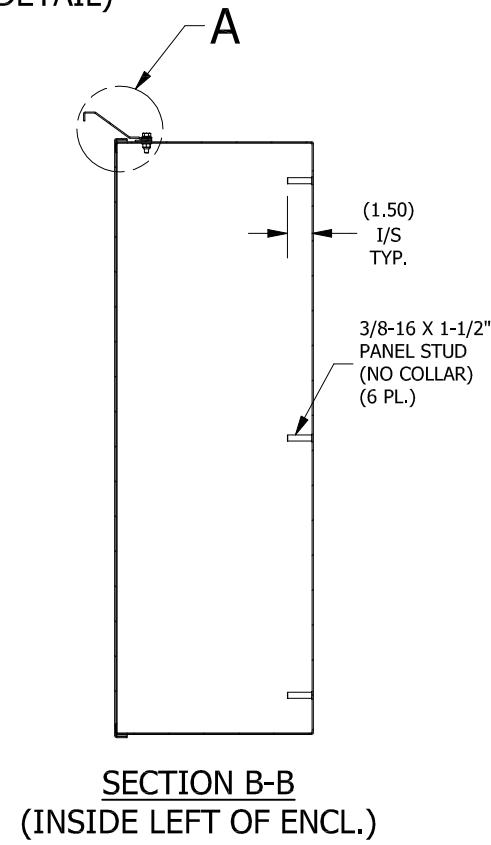


**LEFT SIDE VIEW**

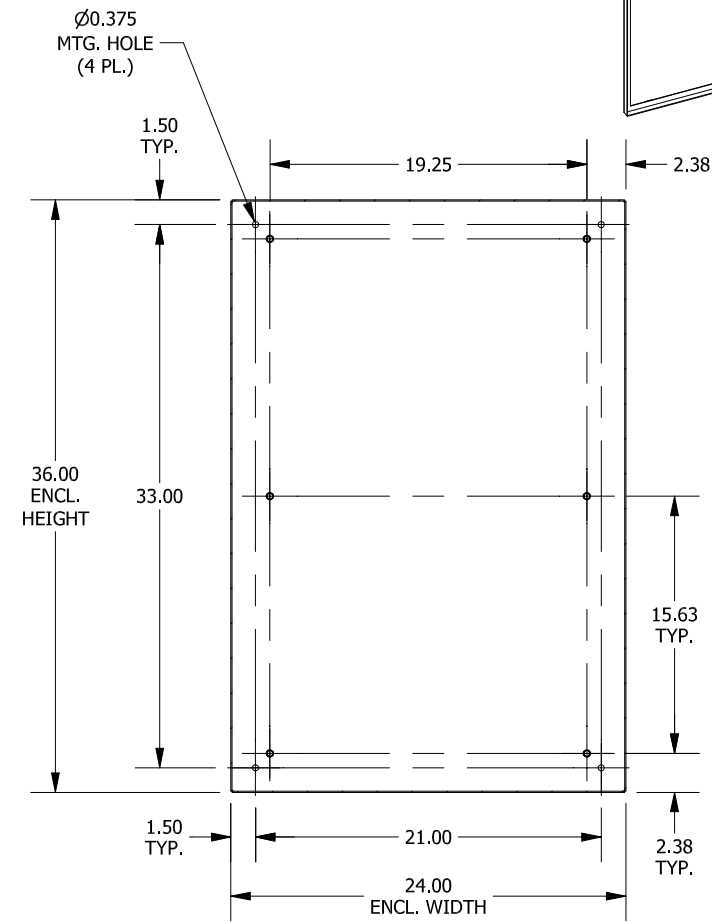
**FRONT VIEW**



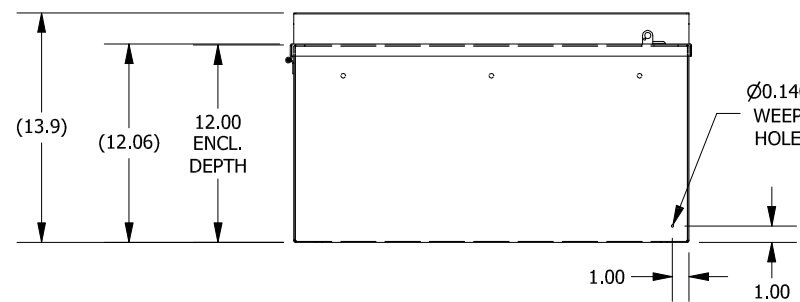
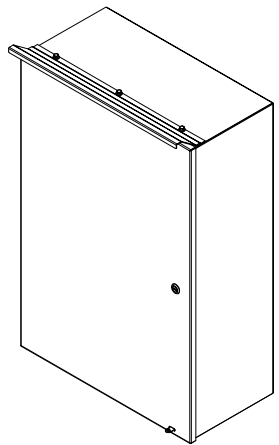
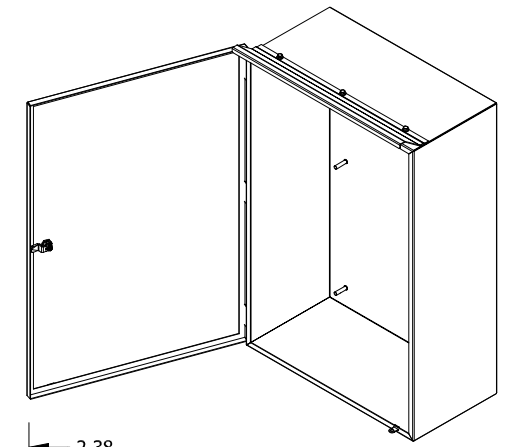
**RIGHT SIDE VIEW**



**SECTION B-B  
(INSIDE LEFT OF ENCL.)**



**SECTION A-A  
(INSIDE BACK OF ENCL.)**



**BOTTOM VIEW**

PART#: CTSD243612  
(DATA SUBJECT TO CHANGE WITHOUT NOTICE)

THIS DRAWING IS PROPERTY OF HUBBELL INC.  
WIEGMANN  
ALL INFORMATION IS PROPRIETARY AND NOT TO BE  
DUPLICATED