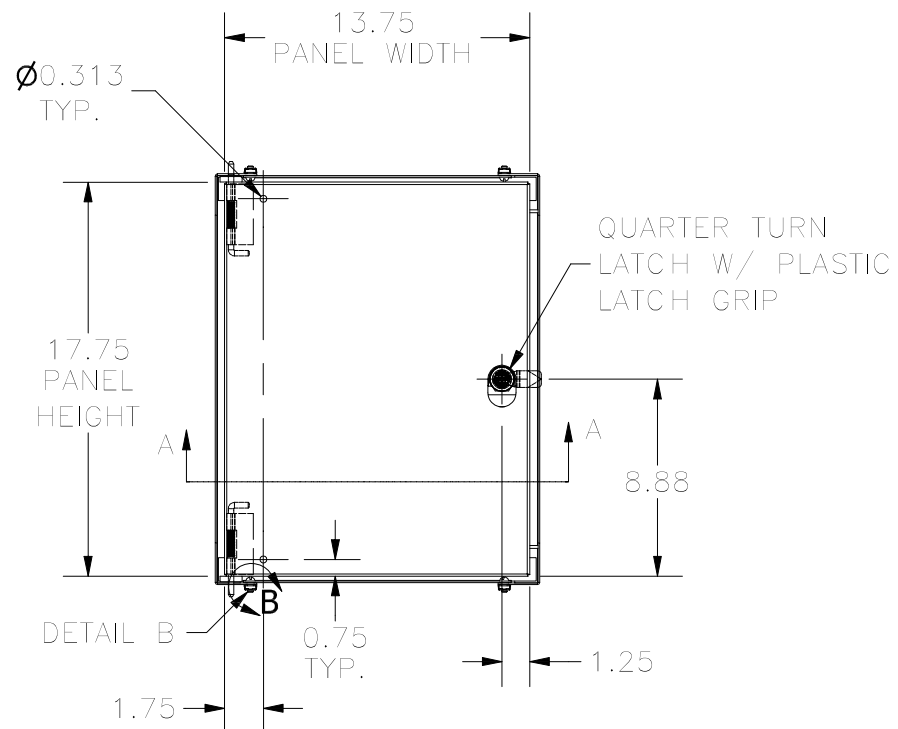
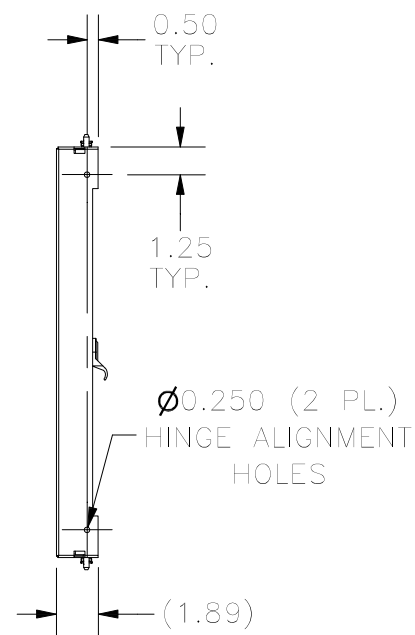
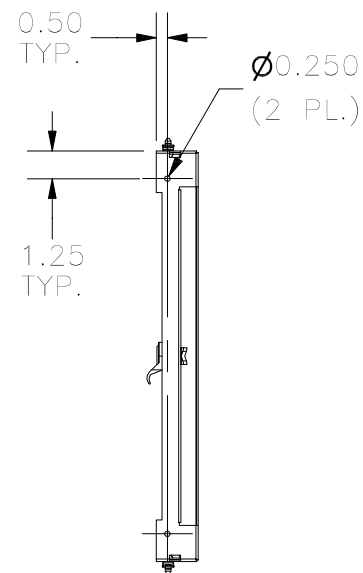


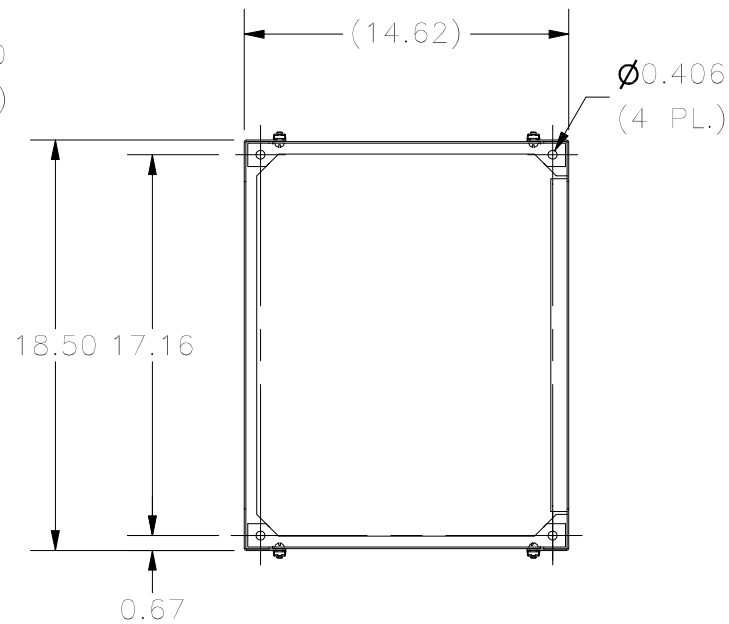
TOP VIEW



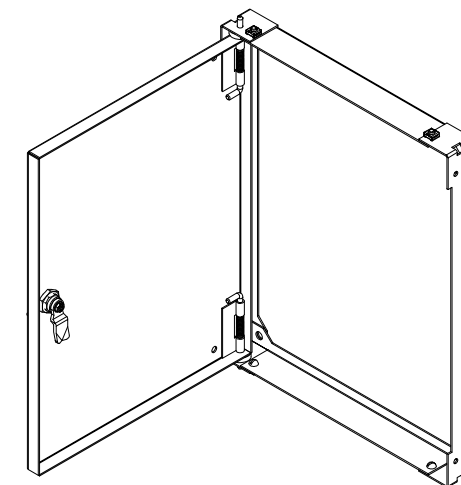
FRONT VIEW



RIGHT SIDE VIEW

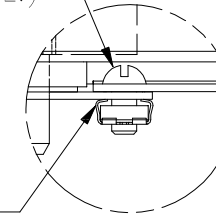


FRONT VIEW (SWING PANEL REMOVED)



1/4-20 X 1/2" PAN HEAD SCREW (4 PL.)

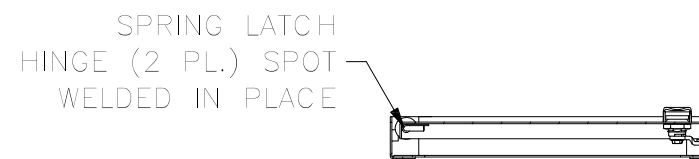
1/4-20 CLIP NUT (4 PL.)



DETAIL B



BOTTOM VIEW



SECTION A-A

PART#: HFWNSP2016C
(DATA SUBJECT TO CHANGE WITHOUT NOTICE)

THIS DRAWING IS PROPERTY OF HUBBELL INC. WIEGMANN
ALL INFORMATION IS PROPRIETARY AND NOT TO BE DUPLICATED