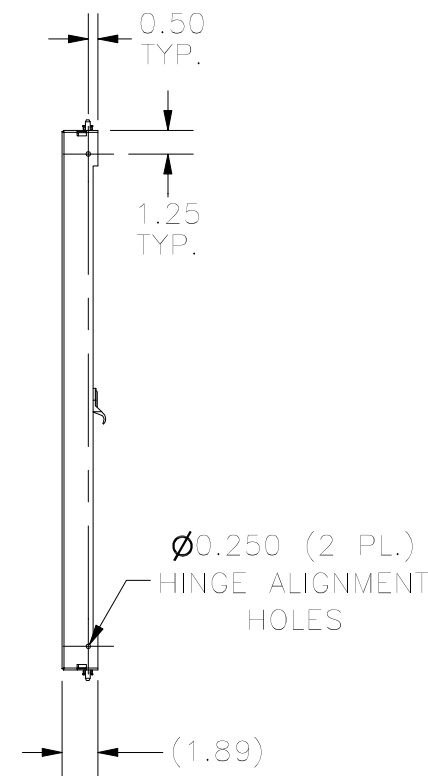
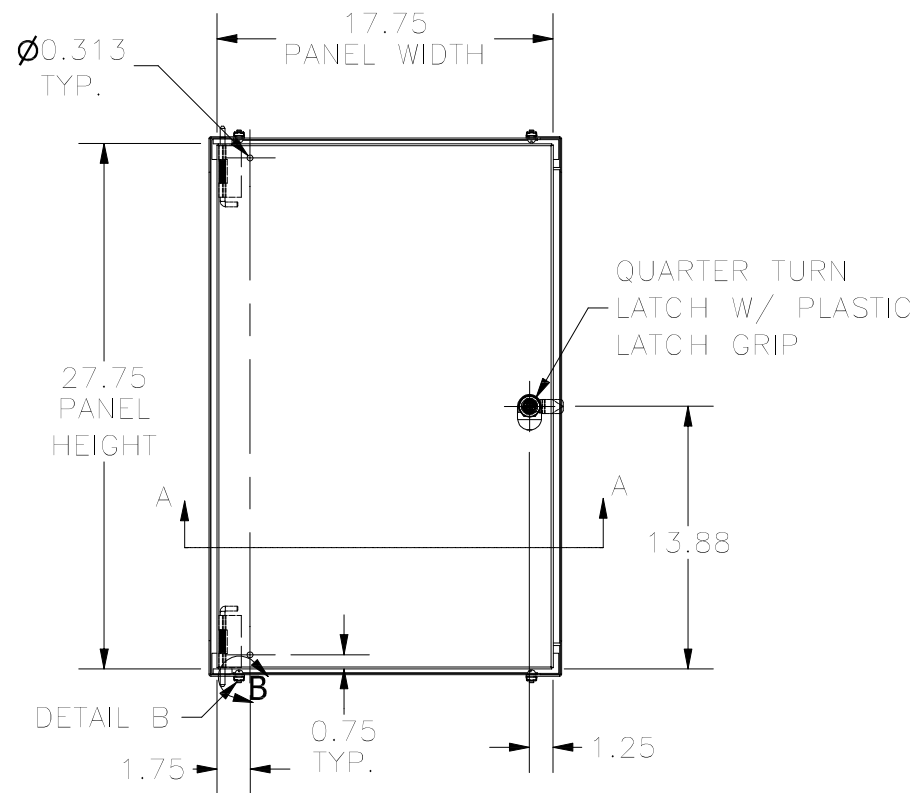


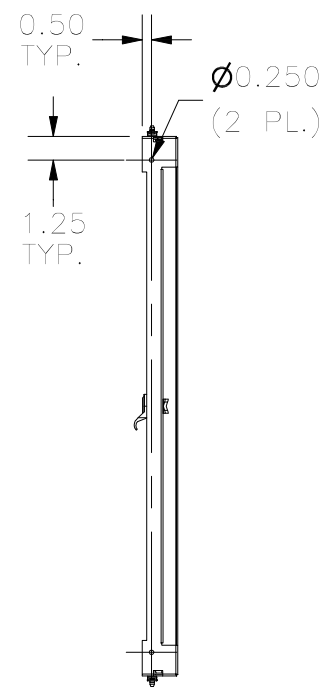
TOP VIEW



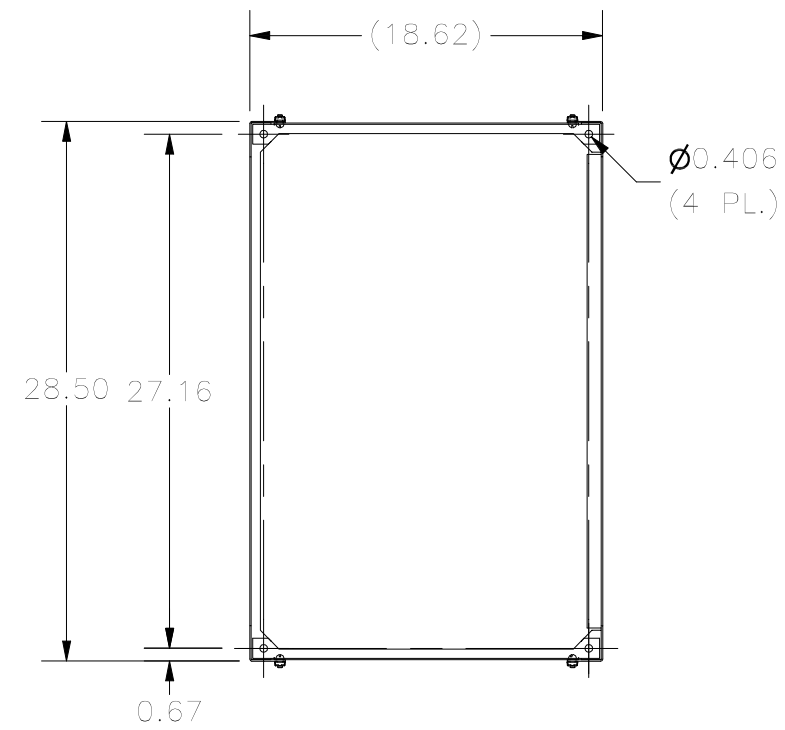
LEFT SIDE VIEW



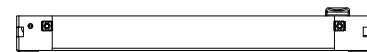
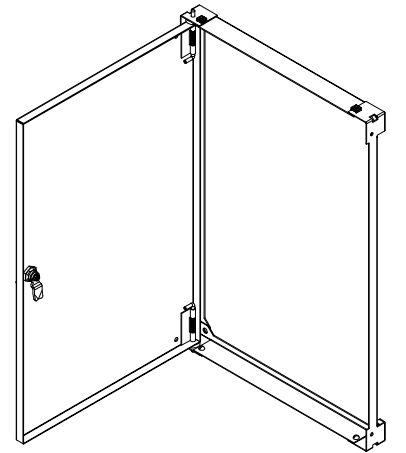
FRONT VIEW



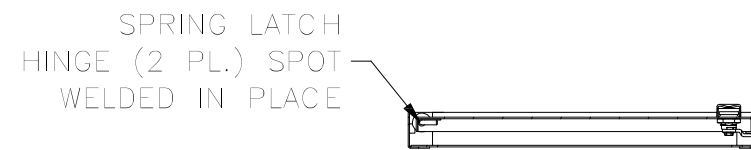
RIGHT SIDE VIEW



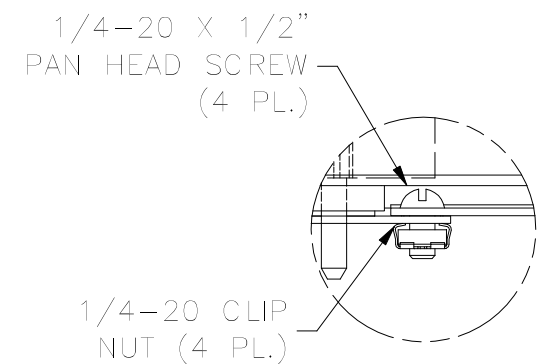
FRONT VIEW (SWING PANEL REMOVED)



BOTTOM VIEW



SECTION A-A



DETAIL B

PART#: HFWNSP3020C  
 (DATA SUBJECT TO CHANGE WITHOUT NOTICE)

THIS DRAWING IS PROPERTY OF HUBBELL INC. WIEGMANN  
 ALL INFORMATION IS PROPRIETARY AND NOT TO BE DUPLICATED