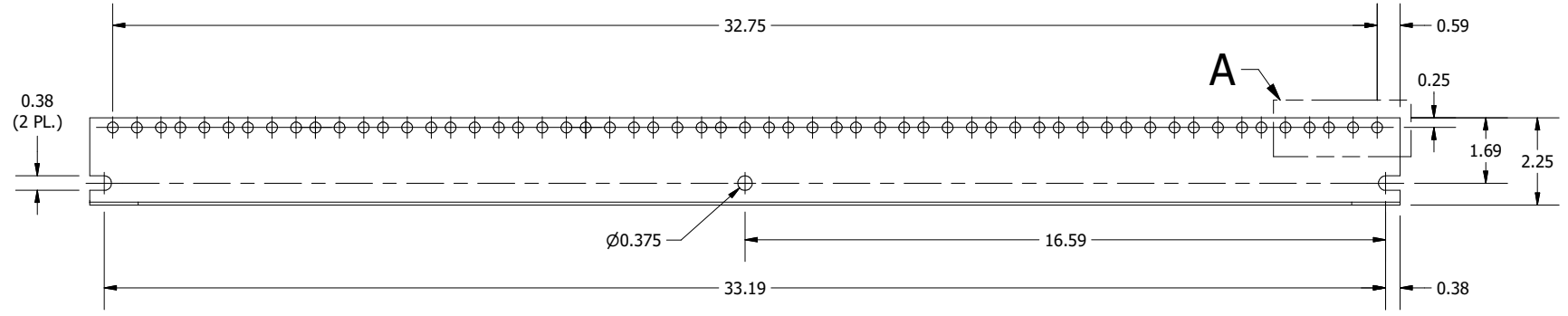
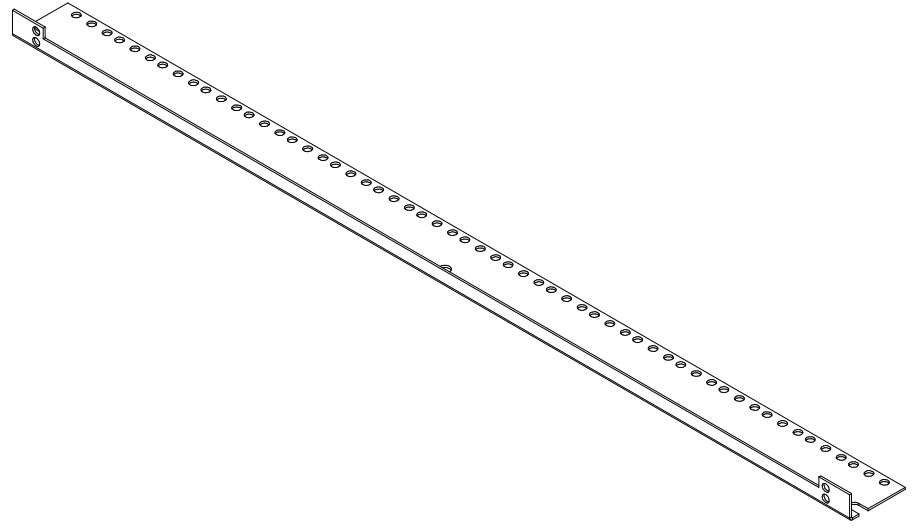
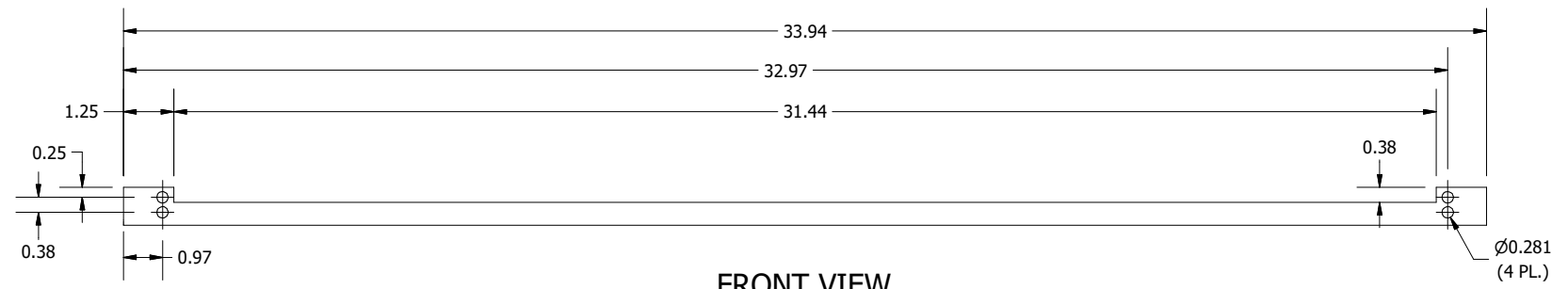


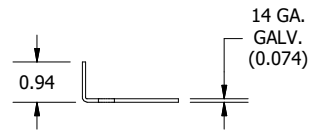
**DETAIL A (TYP.)**  
(REPEATING PATTERN FOR STANDARD 19" RACK EQUIPMENT, 19U)



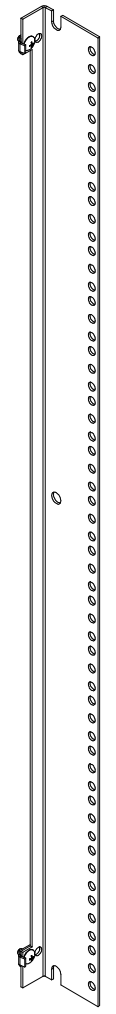
**TOP VIEW**



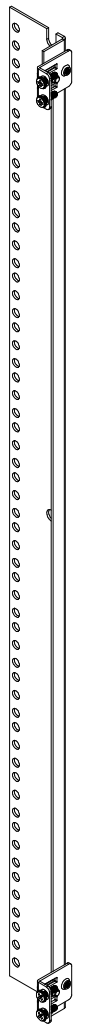
**FRONT VIEW**



**SIDE VIEW**



**HINGE SIDE ASSM. ISO VIEW**  
(FOR REFERENCE ONLY)



**LATCH SIDE ASSM. ISO VIEW**  
(FOR REFERENCE ONLY)

**PART#: HFWRA36C**  
**(DATA SUBJECT TO CHANGE WITHOUT NOTICE)**

THIS DRAWING IS PROPERTY OF HUBBELL INC. WIEGMANN  
ALL INFORMATION IS PROPRIETARY AND NOT TO BE DUPLICATED