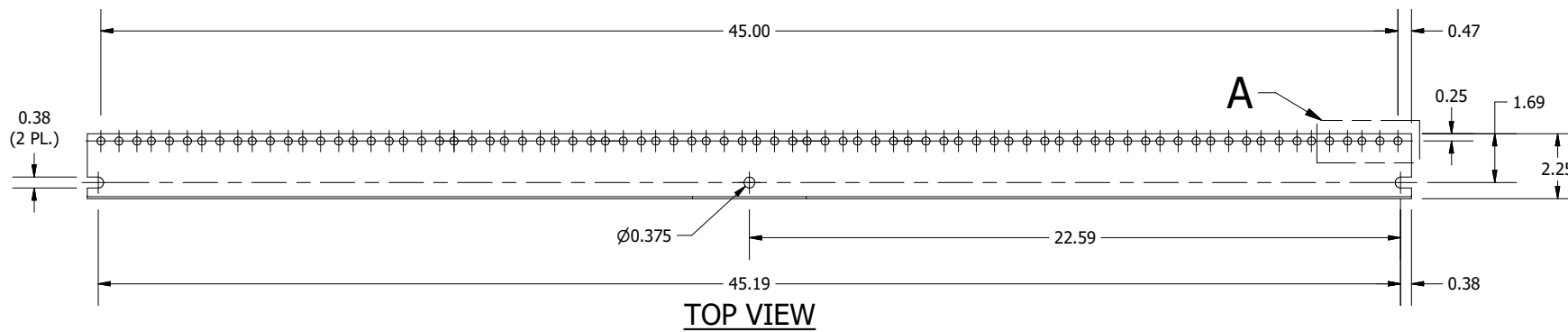
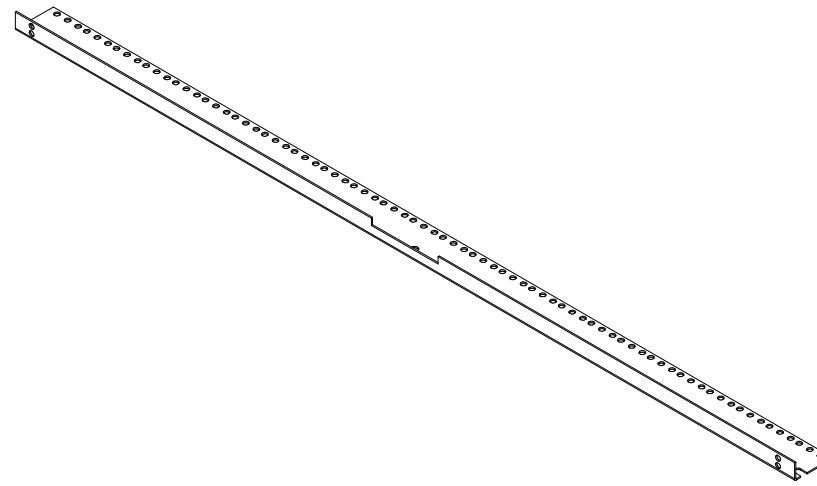
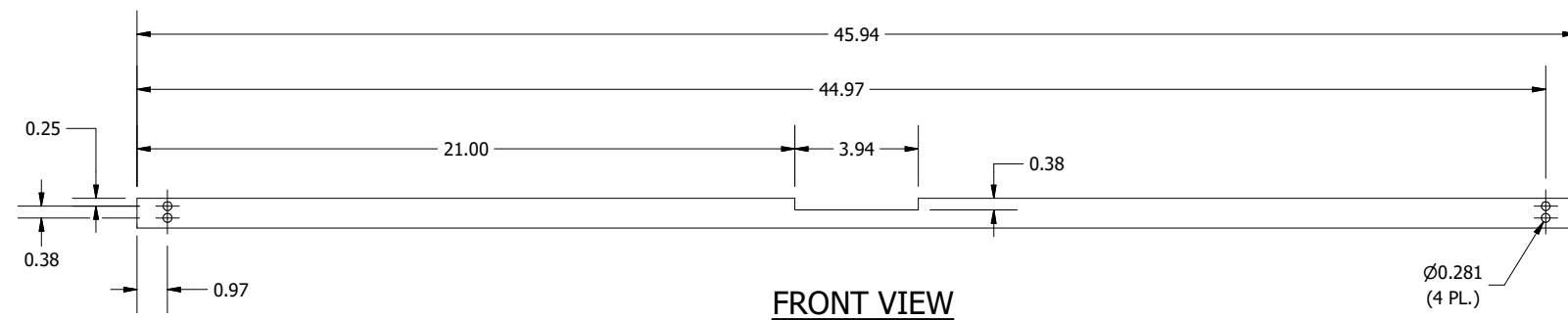


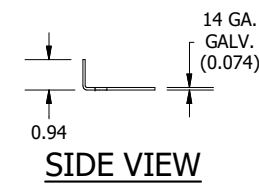
DETAIL A (TYP.)
(REPEATING PATTERN FOR STANDARD 19" RACK EQUIPMENT, 26U)



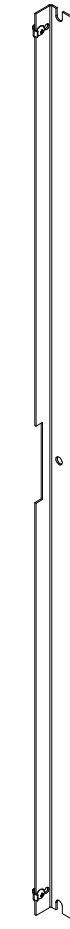
TOP VIEW



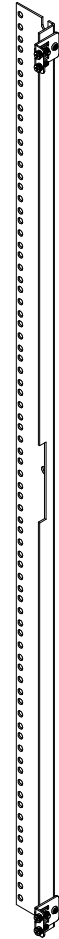
FRONT VIEW



SIDE VIEW



HINGE SIDE ASSM. ISO VIEW
(FOR REFERENCE ONLY)



LATCH SIDE ASSM. ISO VIEW
(FOR REFERENCE ONLY)

PART#: HFWRA48C
(DATA SUBJECT TO CHANGE WITHOUT NOTICE)

THIS DRAWING IS PROPERTY OF HUBBELL INC. WIEGMANN
ALL INFORMATION IS PROPRIETARY AND NOT TO BE DUPLICATED