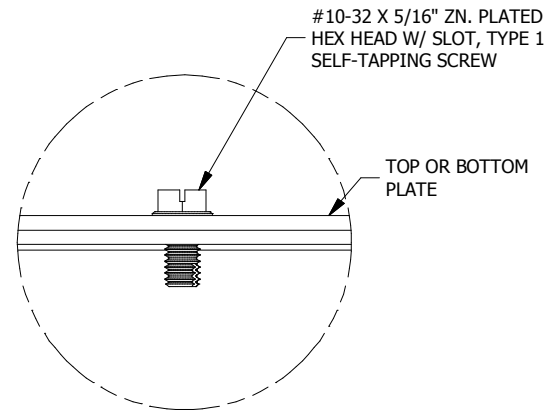
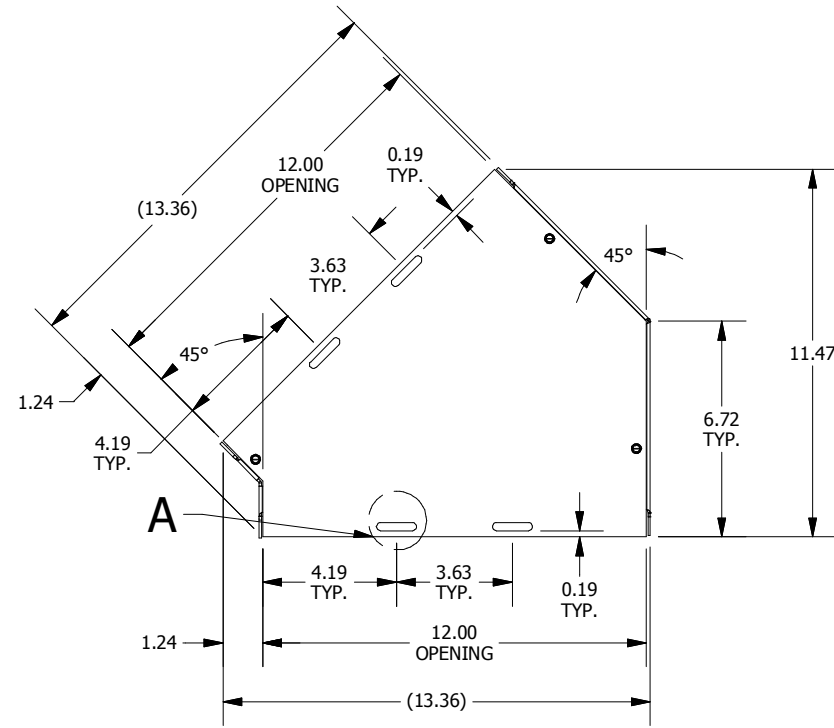


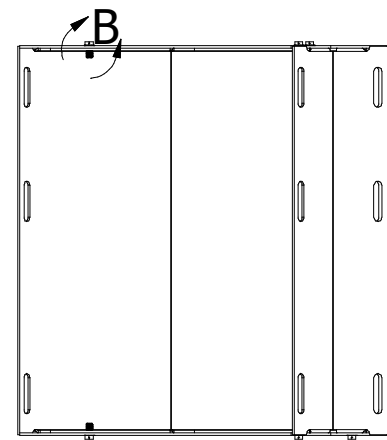
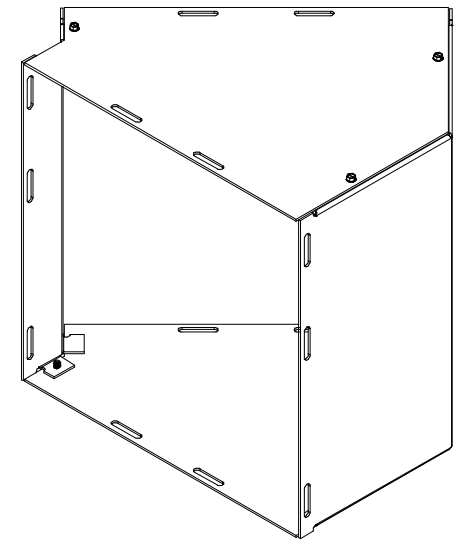
**DETAIL A (20 PL.)
(SLOT DETAIL)**



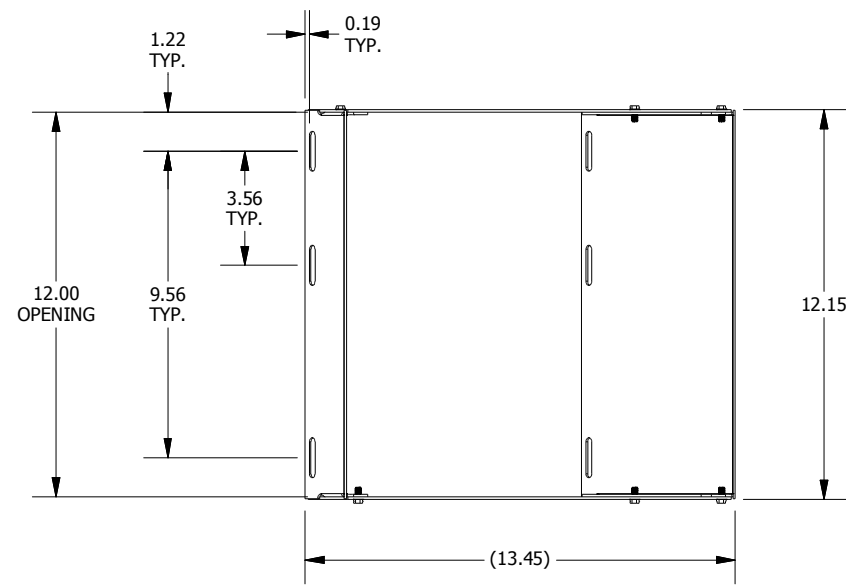
**DETAIL B (6 PL.)
(ASSM. DETAIL)**



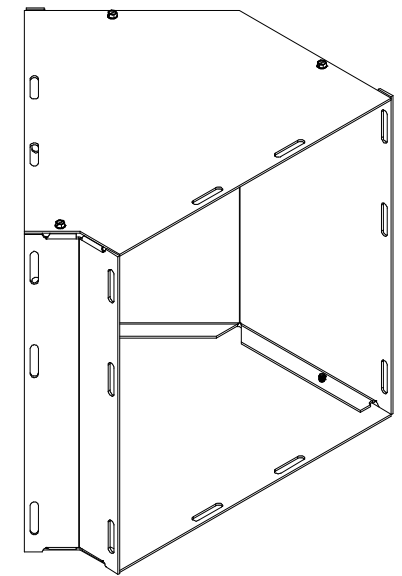
TOP VIEW



SIDE VIEW



FRONT VIEW



PART#: L121245
(DATA SUBJECT TO CHANGE WITHOUT NOTICE)

THIS DRAWING IS PROPERTY OF HUBBELL INC. WIEGMANN
ALL INFORMATION IS PROPRIETARY AND NOT TO BE DUPLICATED