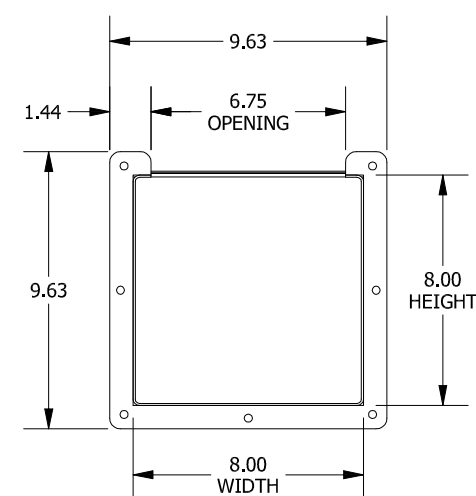
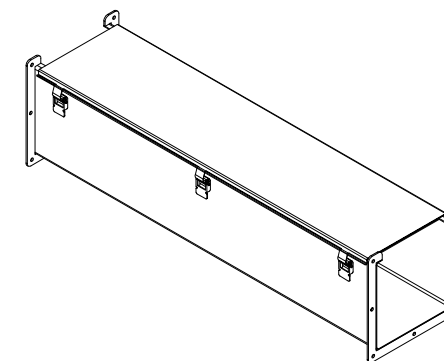
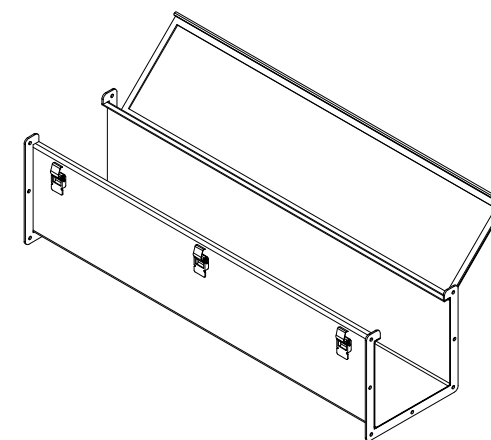
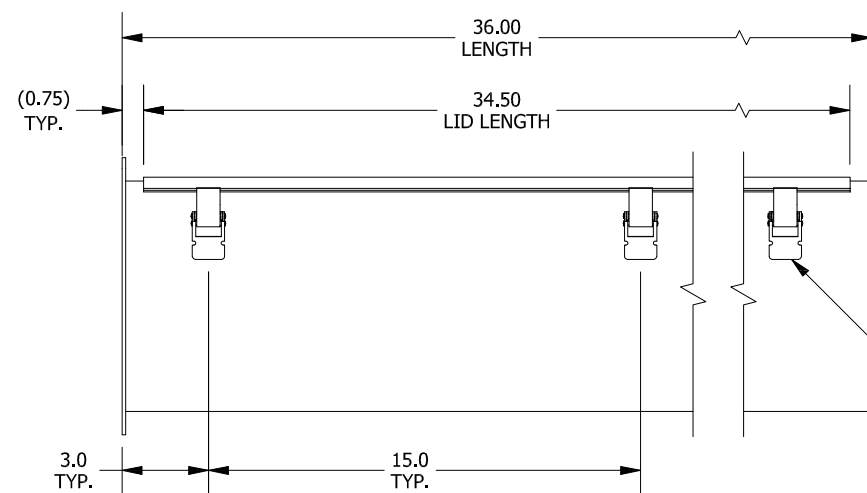


TOP VIEW

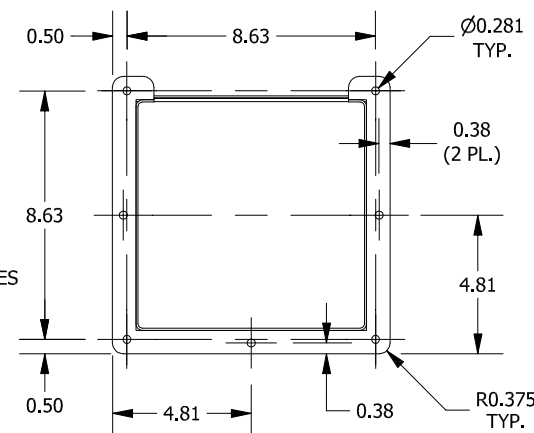


LEFT SIDE VIEW

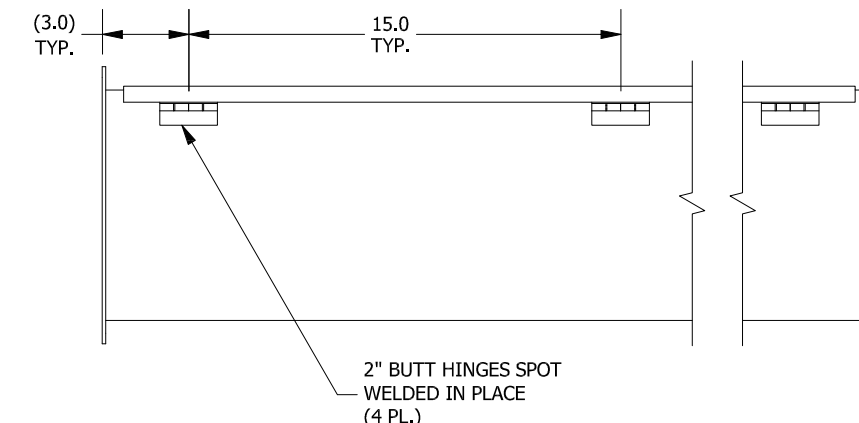


FRONT VIEW

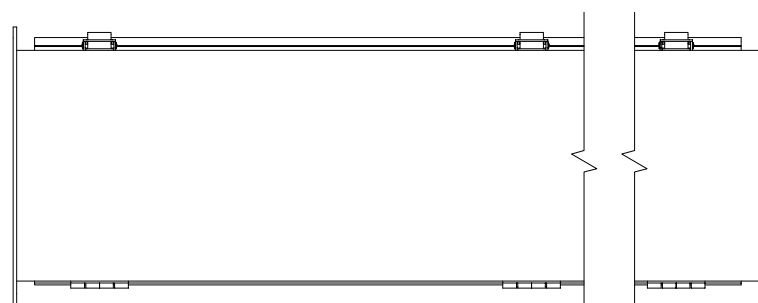
QUICK RELEASE LATCHES SPOT WELDED TO TUB (3 PL.)



RIGHT SIDE VIEW



BACK VIEW



BOTTOM VIEW

PART#: LJW83
 (DATA SUBJECT TO CHANGE WITHOUT NOTICE)

THIS DRAWING IS PROPERTY OF HUBBELL INC. WIEGMANN
 ALL INFORMATION IS PROPRIETARY AND NOT TO BE DUPLICATED