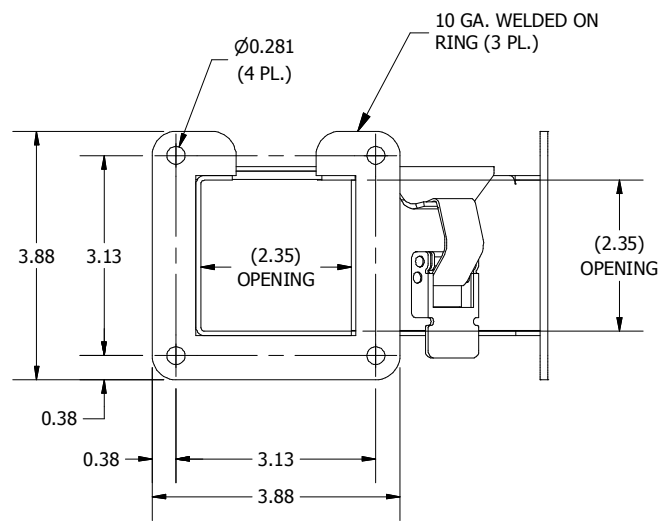
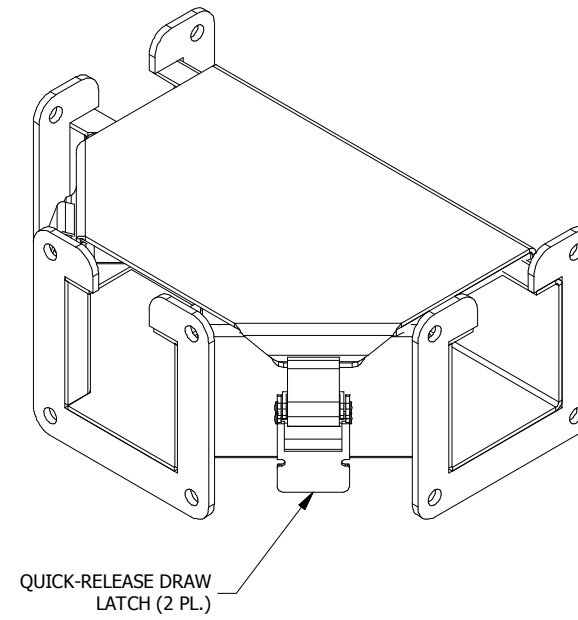
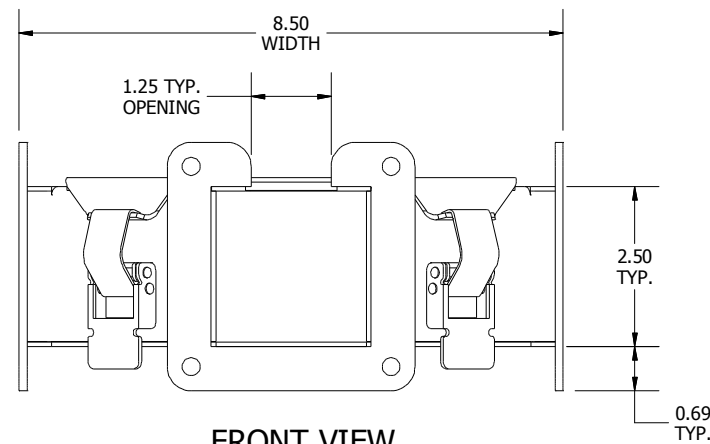


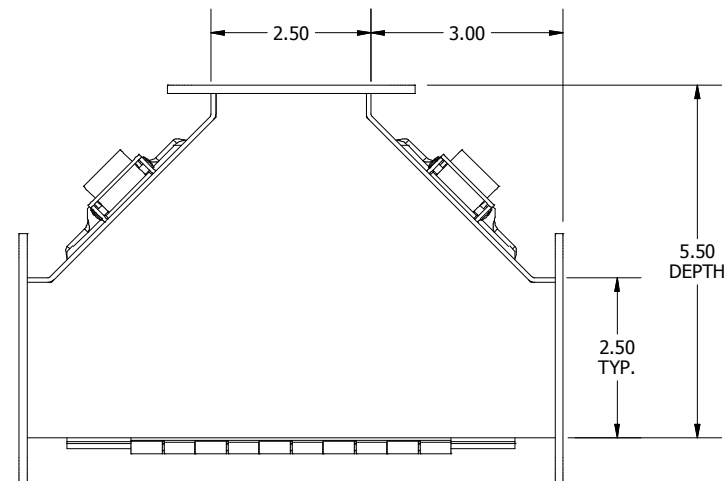
**TOP VIEW**



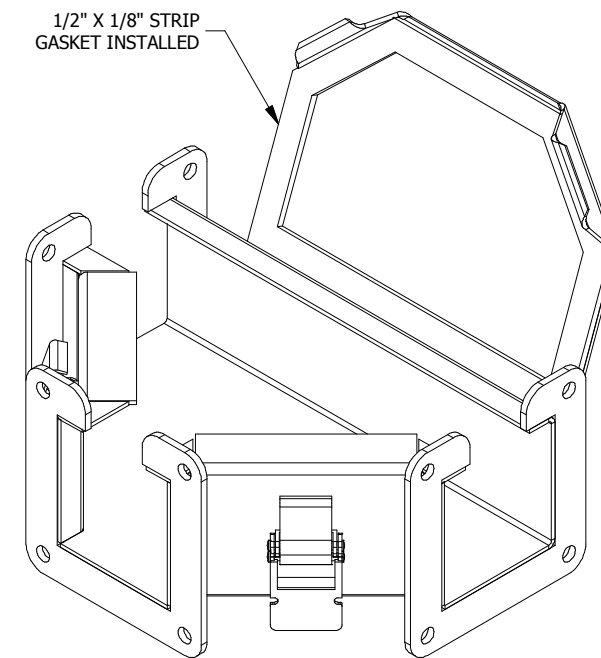
**LEFT SIDE VIEW**



**FRONT VIEW**



**BOTTOM VIEW**



PART#: LJWT2A  
(DATA SUBJECT TO CHANGE WITHOUT NOTICE)

THIS DRAWING IS PROPERTY OF HUBBELL INC. WIEGMANN  
ALL INFORMATION IS PROPRIETARY AND NOT TO BE DUPLICATED