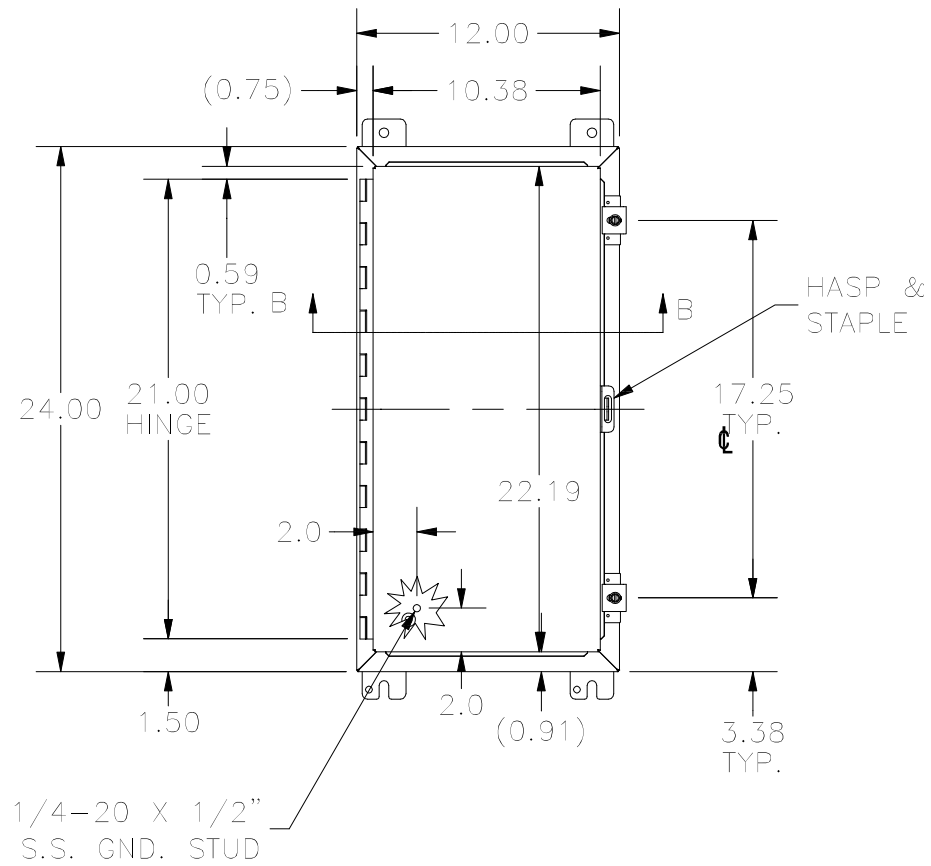
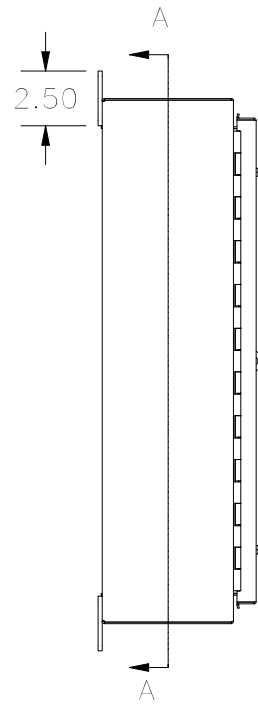


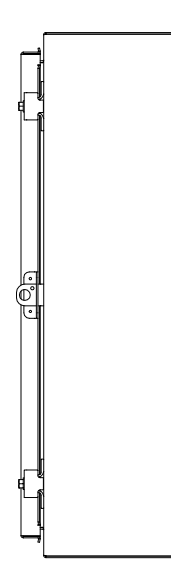
TOP VIEW



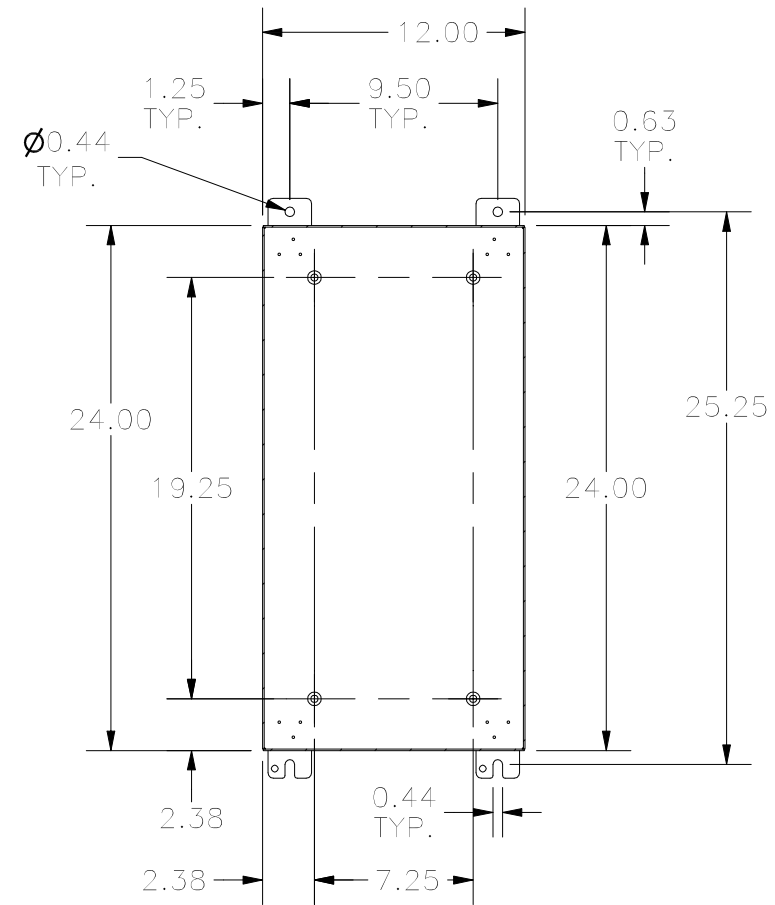
FRONT VIEW



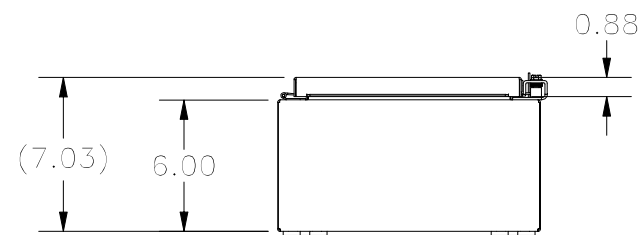
LEFT SIDE



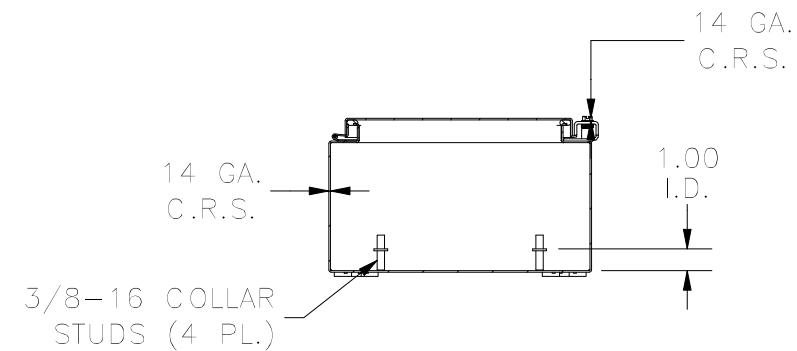
RIGHT VIEW



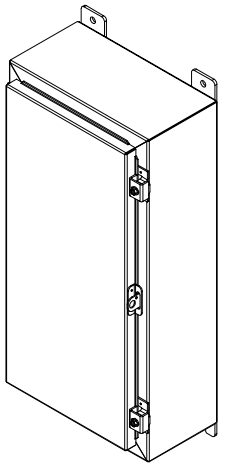
SECTION A-A



BOTTOM VIEW



SECTION B-B



PART#: N12241206
(DATA SUBJECT TO CHANGE WITHOUT NOTICE)

THIS DRAWING IS PROPERTY OF HUBBELL INC. WIEGMANN
ALL INFORMATION IS PROPRIETARY AND NOT TO BE DUPLICATED