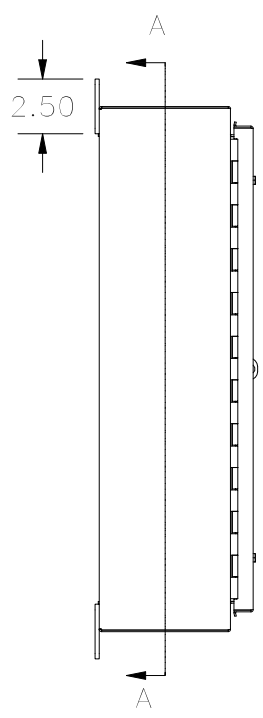
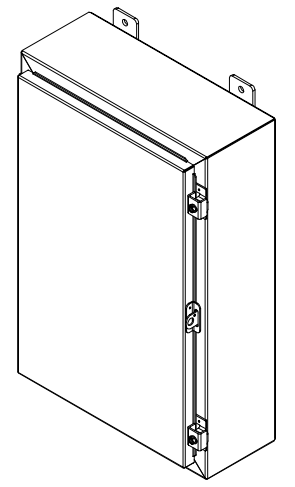
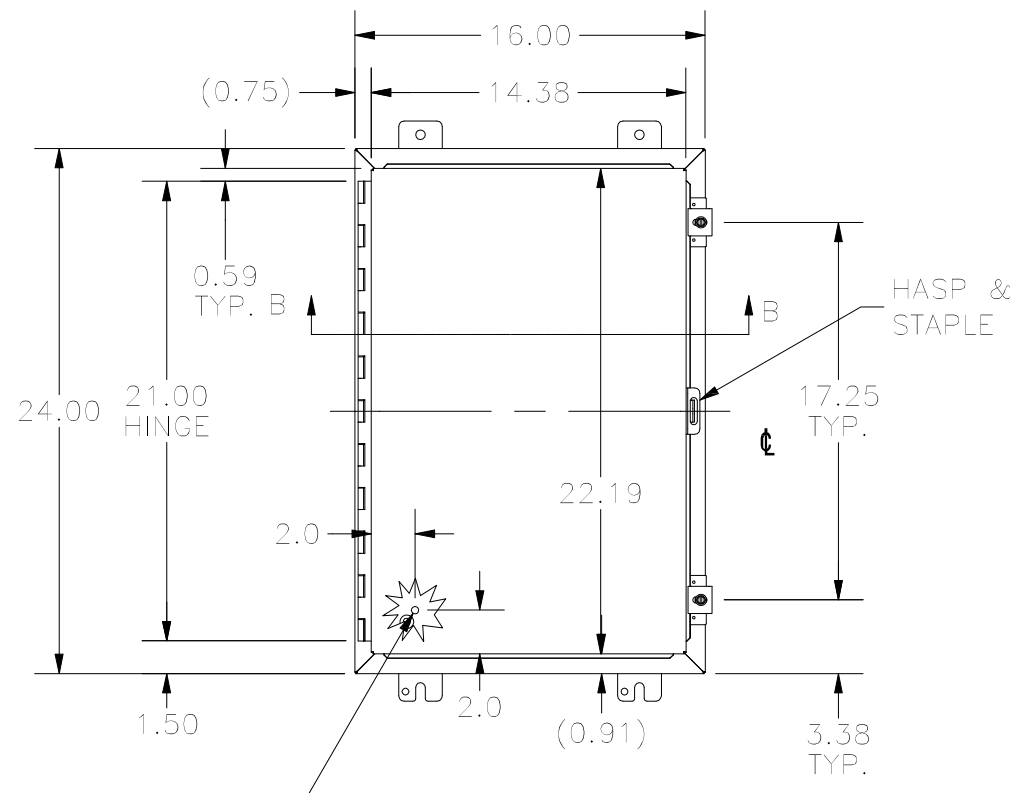


TOP VIEW

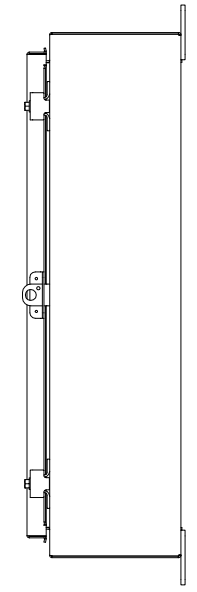


LEFT SIDE

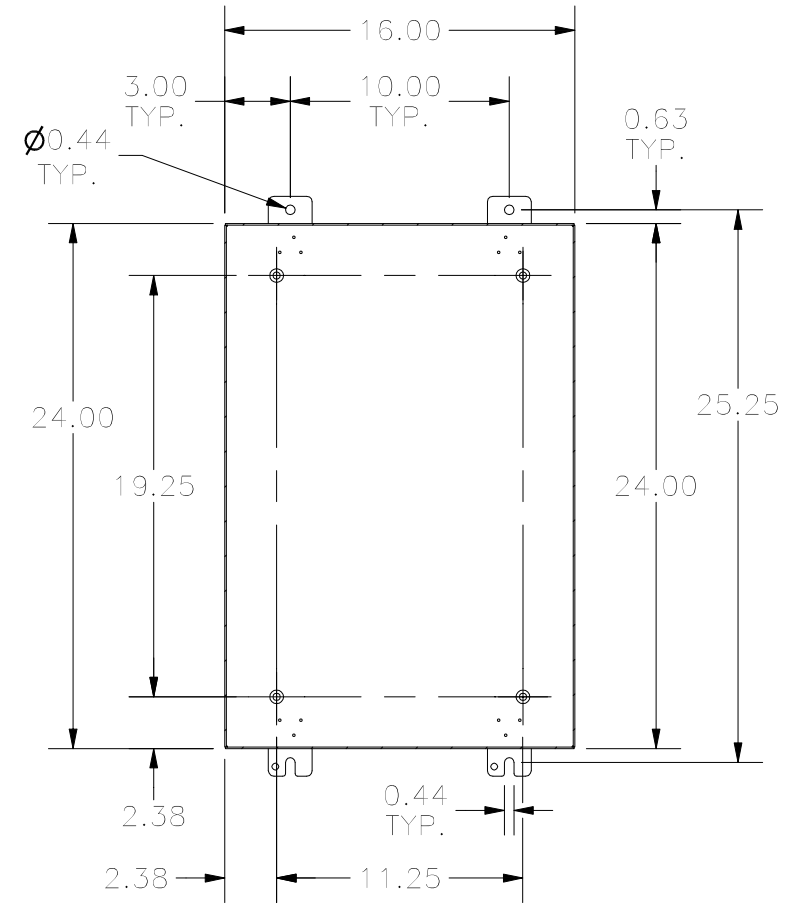


FRONT VIEW

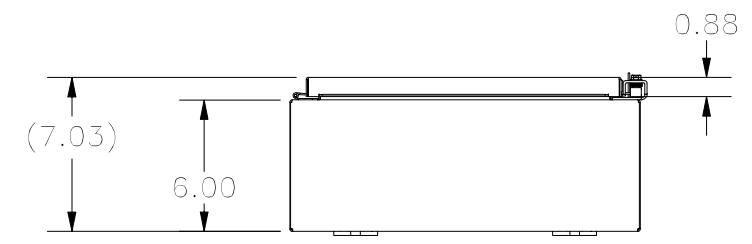
1/4-20 X 1/2" S.S. GND. STUD



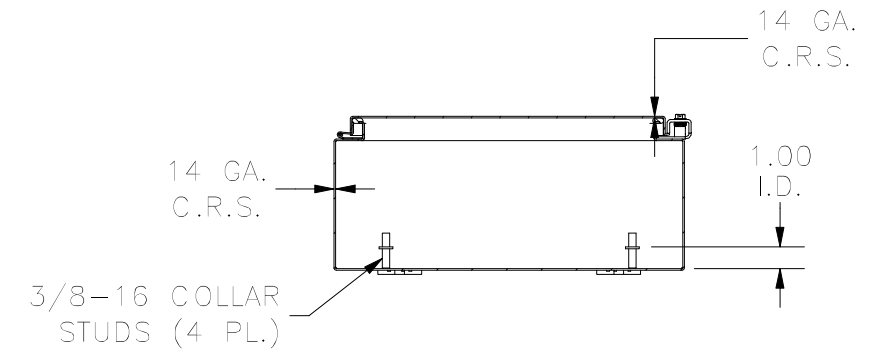
RIGHT VIEW



SECTION A-A



BOTTOM VIEW



SECTION B-B

PART#: N12241606
 (DATA SUBJECT TO CHANGE WITHOUT NOTICE)

THIS DRAWING IS PROPERTY OF HUBBELL INC. WIEGMANN
 ALL INFORMATION IS PROPRIETARY AND NOT TO BE DUPLICATED