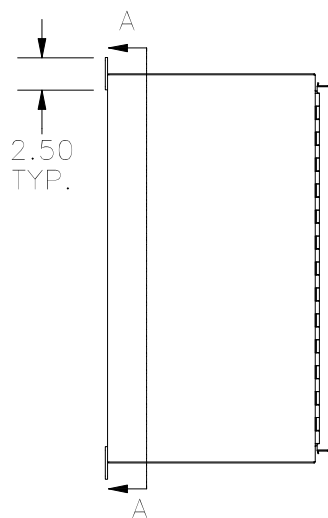
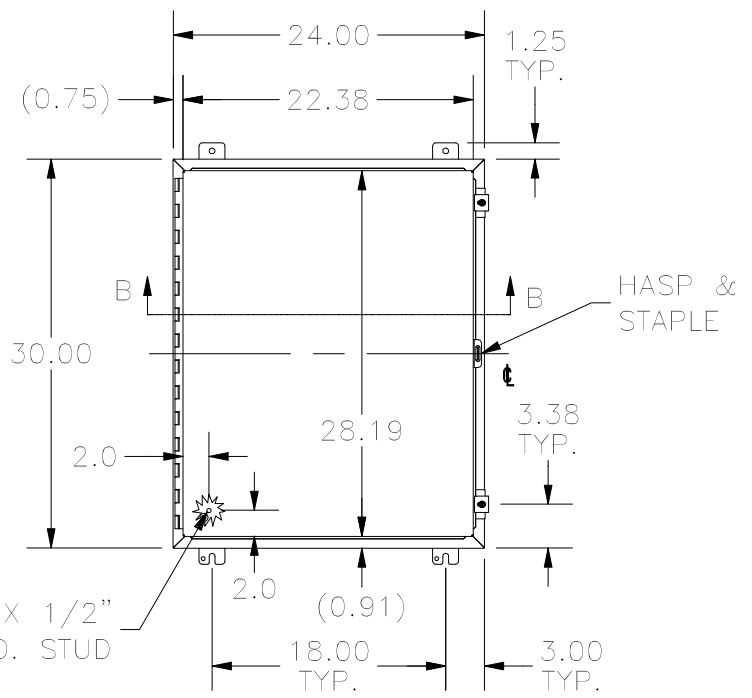


**TOP VIEW**

HOLD DOWN CLAMP



**LEFT SIDE**

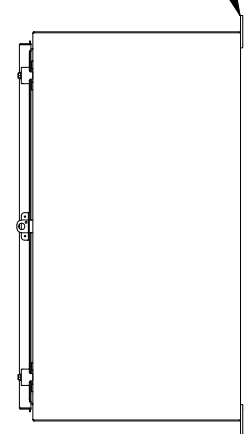


**FRONT VIEW**

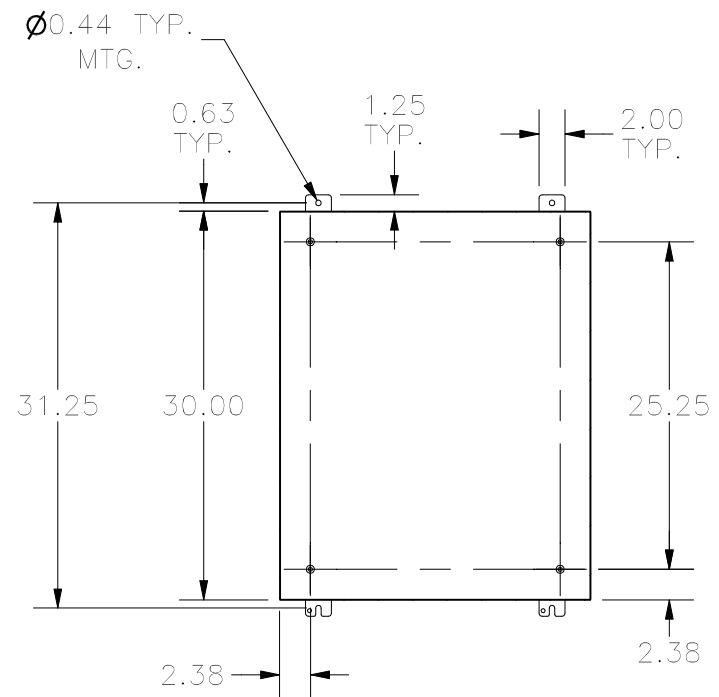
1/4-20 X 1/2" S.S. GND. STUD

HASP & STAPLE

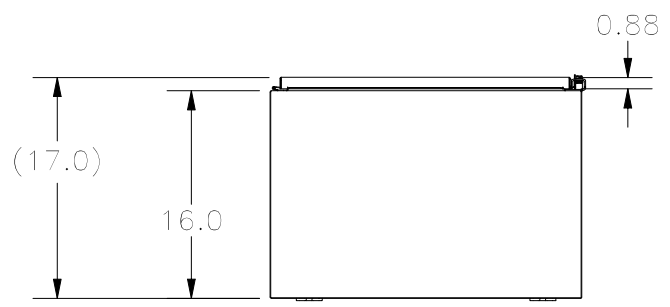
7 GA. C.R.S. MTG. FT. (4 PL.)



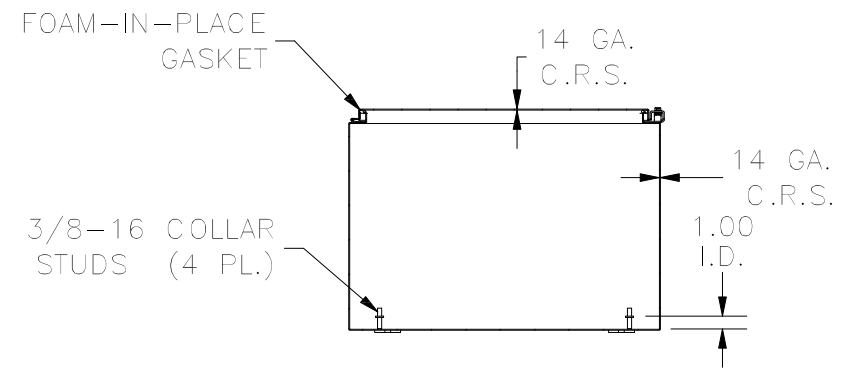
**RIGHT SIDE**



**SECTION A-A  
(INSIDE BACK OF TUB)**



**BOTTOM VIEW**



**SECTION B-B  
(INSIDE TOP OF ENCLOSURE)**

PART#: N12302416  
(DATA SUBJECT TO CHANGE WITHOUT NOTICE)

THIS DRAWING IS PROPERTY OF HUBBELL INC. WIEGMANN  
ALL INFORMATION IS PROPRIETARY AND NOT TO BE DUPLICATED