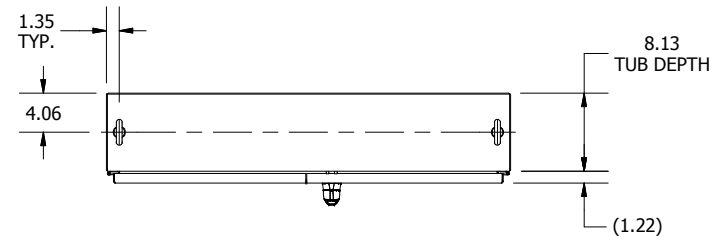
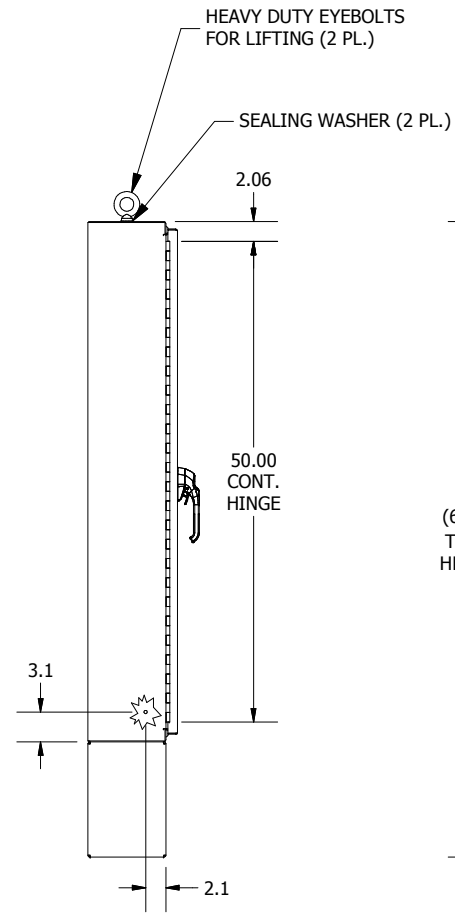


PART#: N12544208
(DATA SUBJECT TO CHANGE WITHOUT NOTICE)

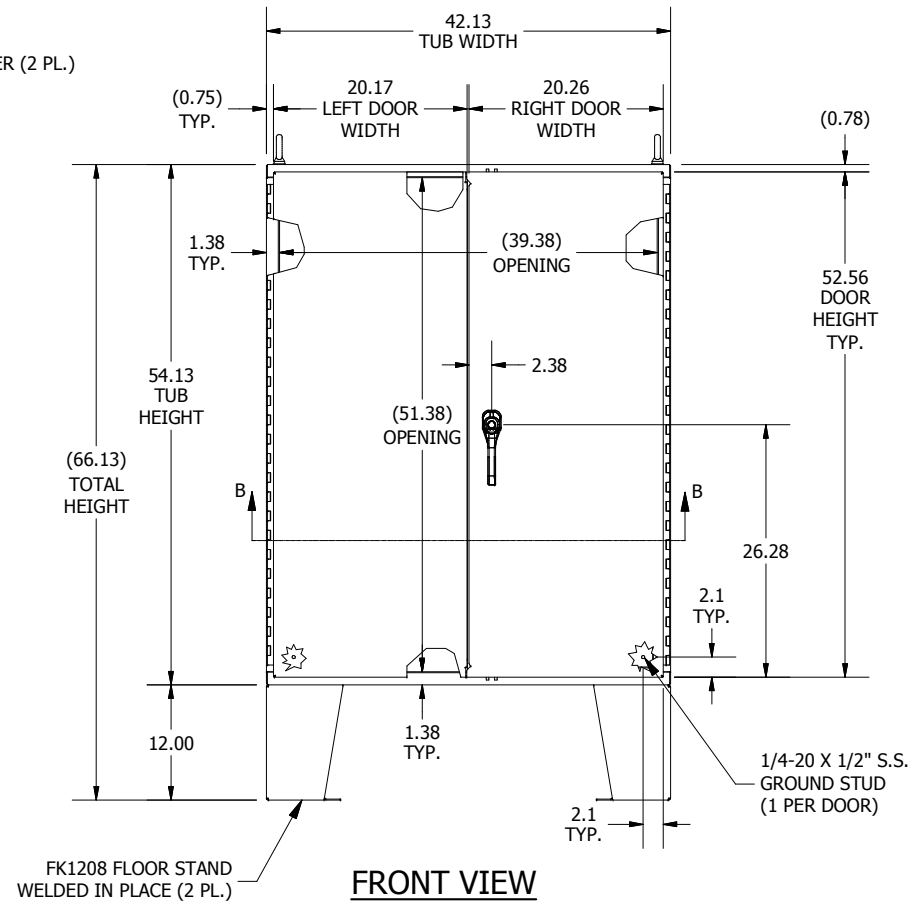
THIS DRAWING IS PROPERTY OF HUBBELL INC. WIEGMANN ALL INFORMATION IS PROPRIETARY AND NOT TO BE DUPLICATED



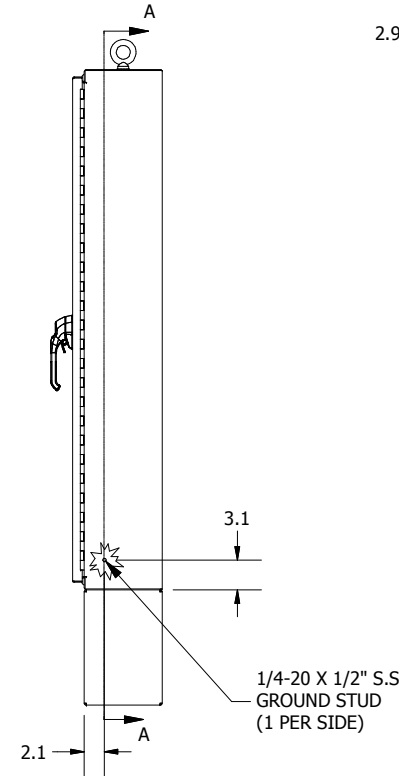
TOP VIEW



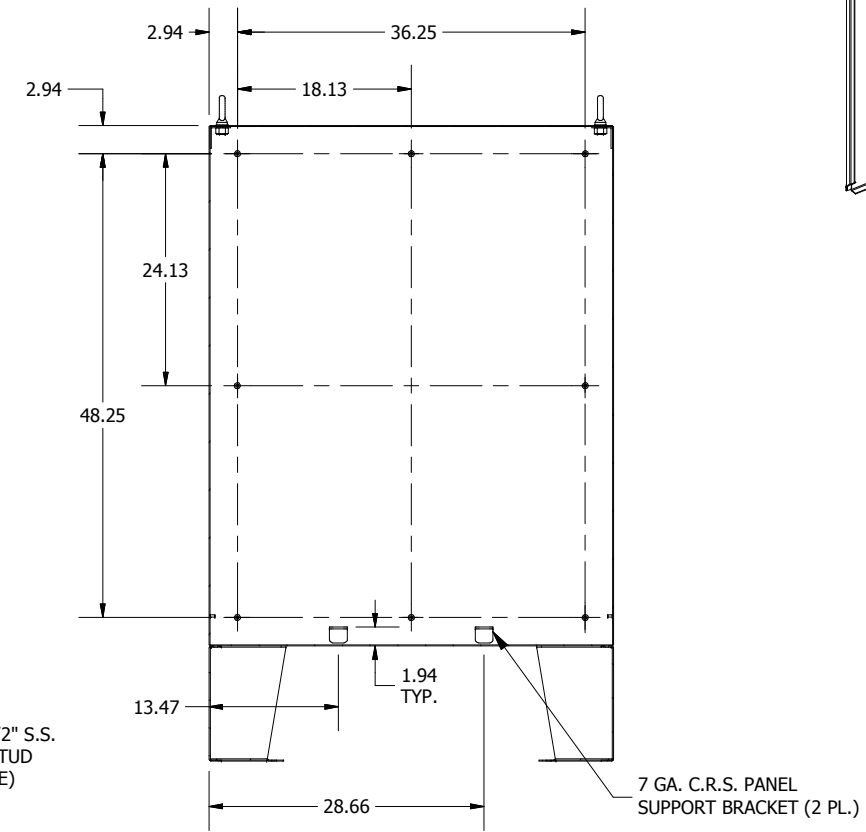
LEFT SIDE VIEW



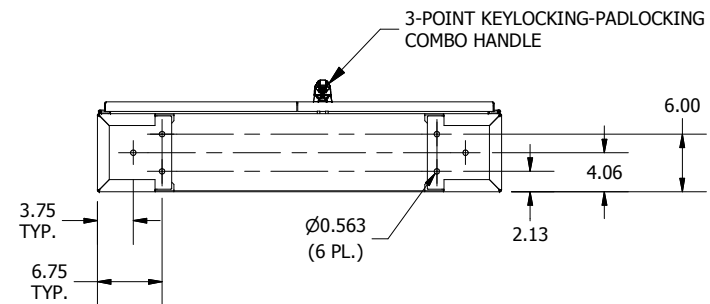
FRONT VIEW



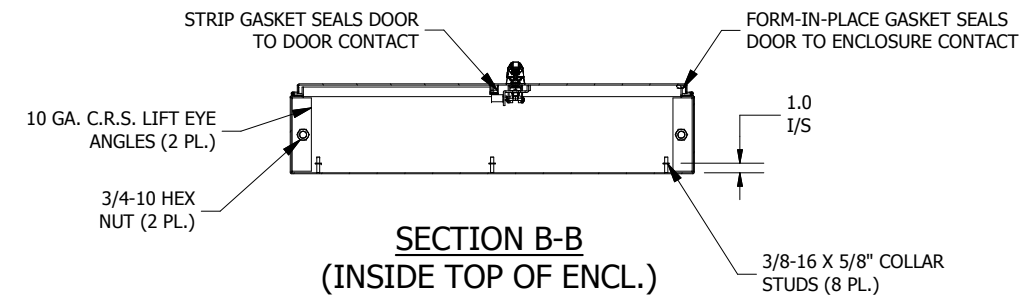
RIGHT SIDE VIEW



**SECTION A-A
(INSIDE BACK OF ENCL.)**



BOTTOM VIEW



**SECTION B-B
(INSIDE TOP OF ENCL.)**

