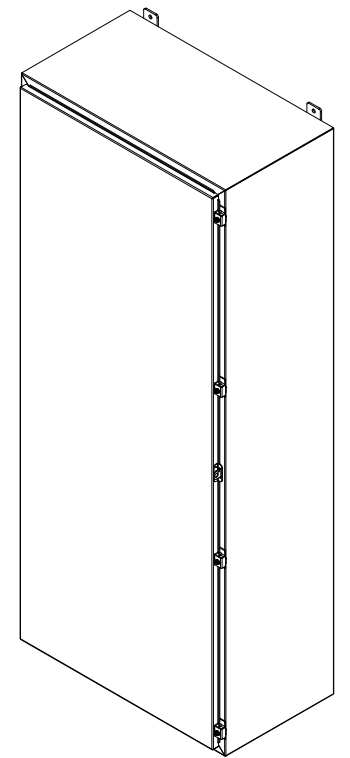
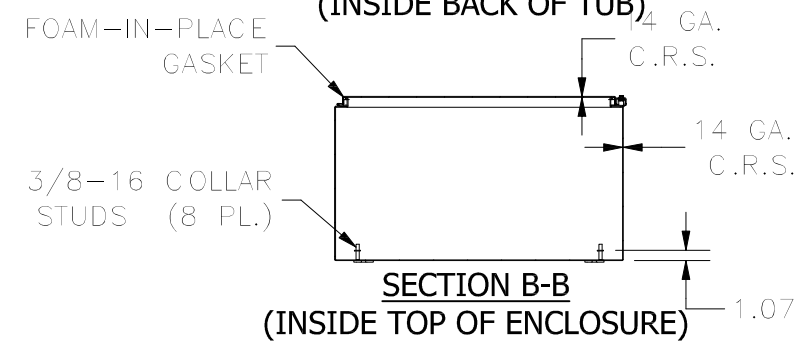
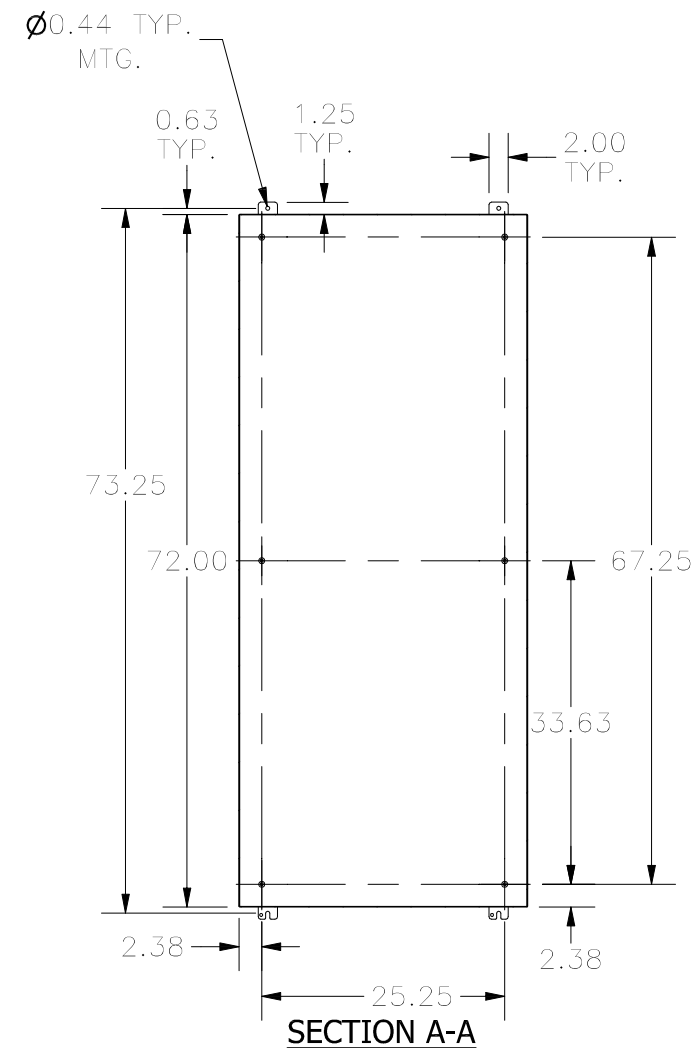
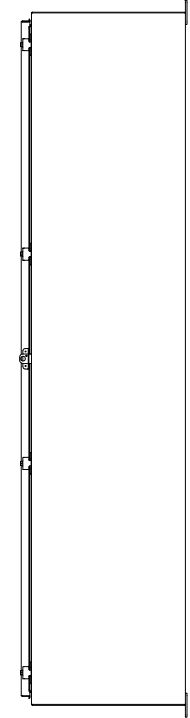


7 GA. C.R.S. MTG. FT. (4 PL.)



**LEFT SIDE**

PART#: N12723016  
(DATA SUBJECT TO CHANGE WITHOUT NOTICE)

THIS DRAWING IS PROPERTY OF HUBBELL INC. WIEGMANN  
ALL INFORMATION IS PROPRIETARY AND NOT TO BE DUPLICATED